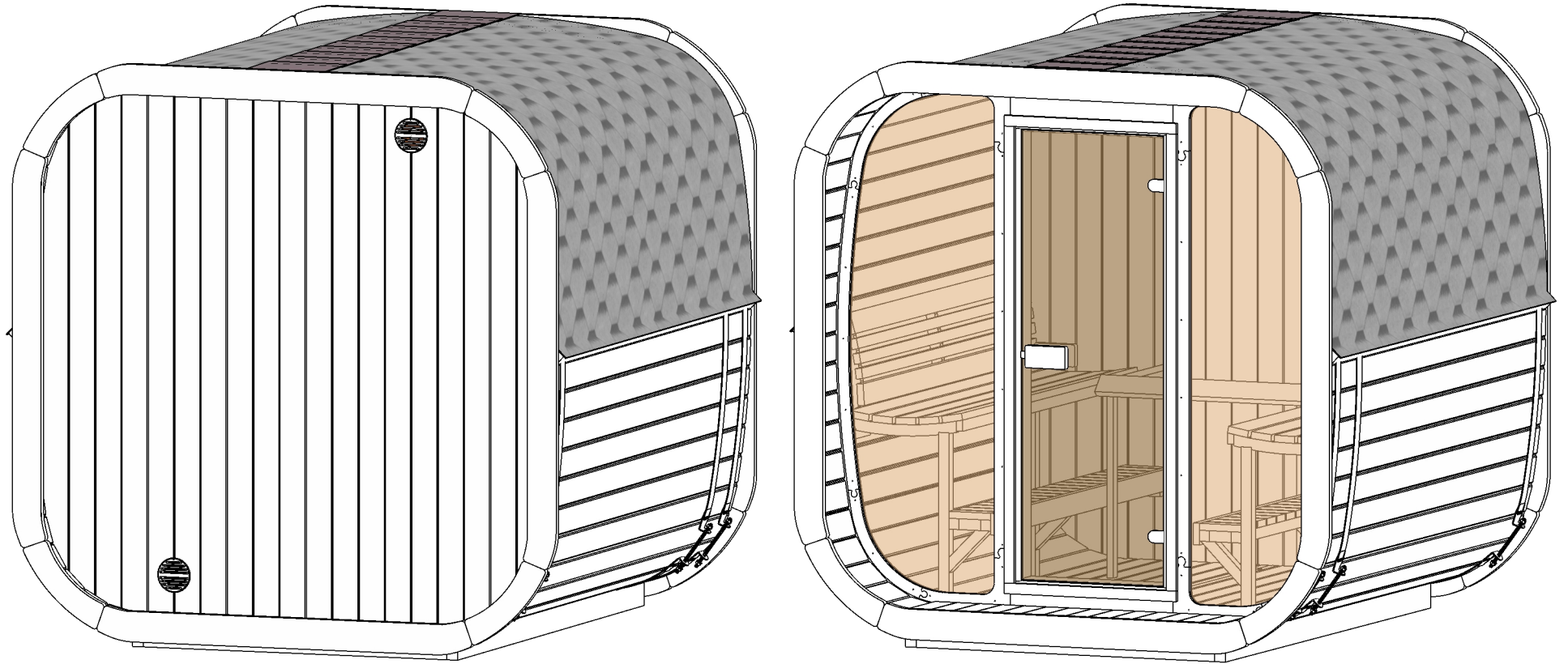


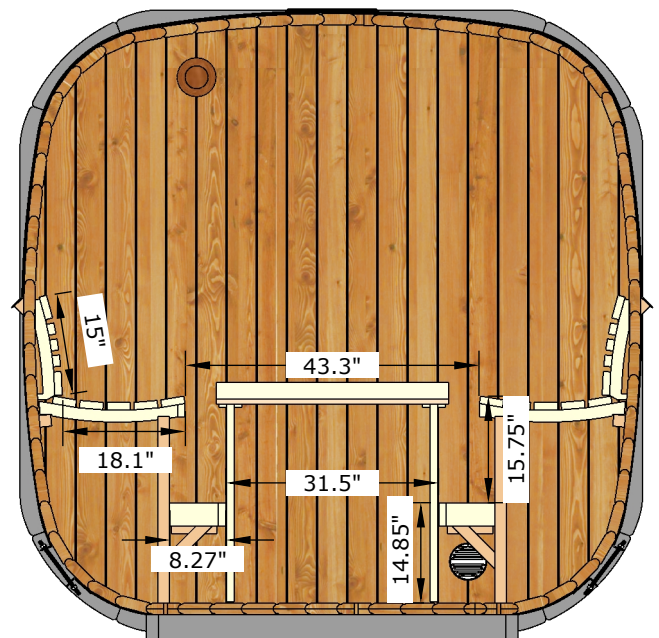
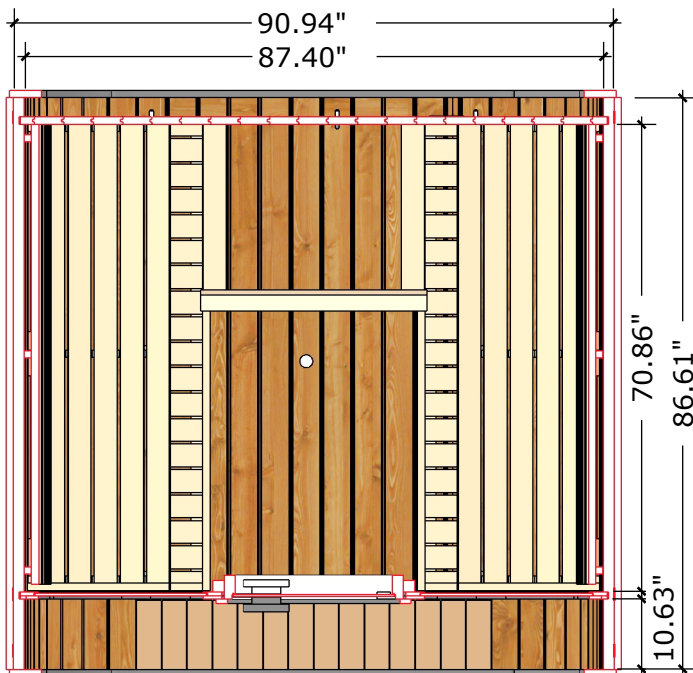
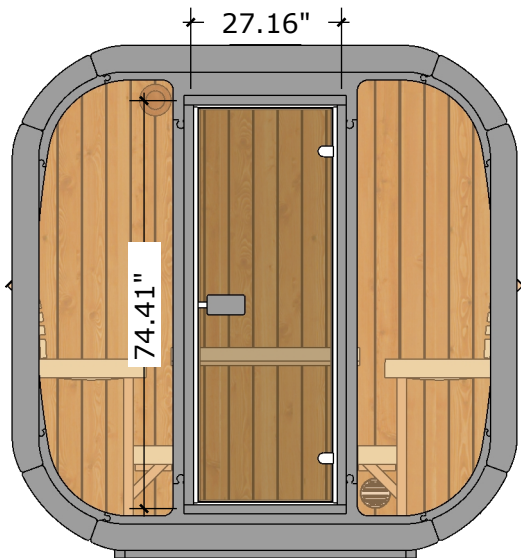
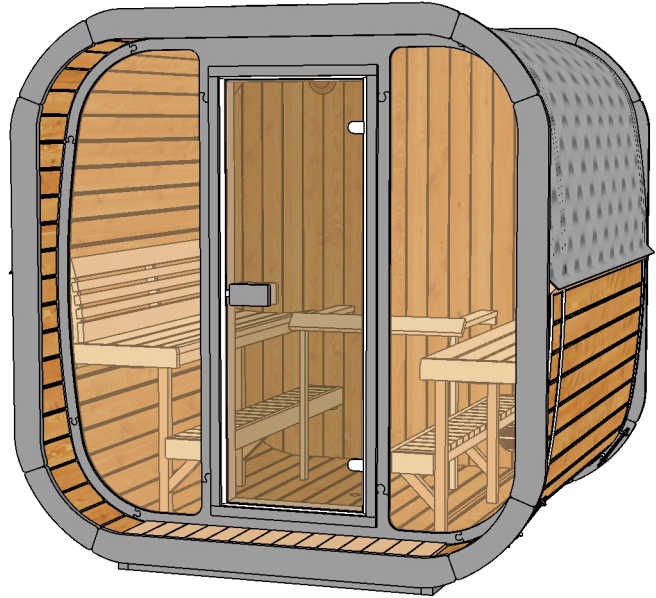


Cube Luxury Series CL7G Outdoor Sauna
87D" x 91W" x 93H"

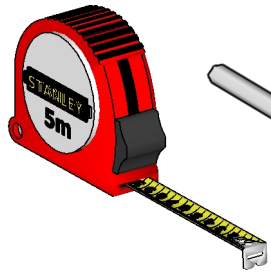


Note: Please read manual before construction

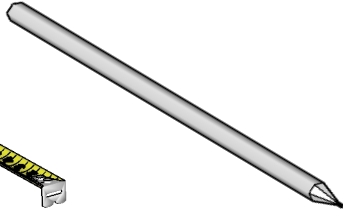
Rev: 1.0_6/2024



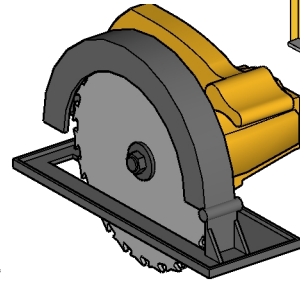
Tools needed



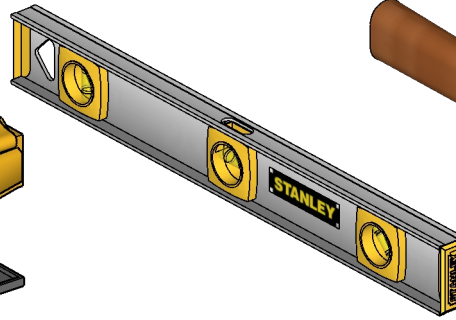
Measuring tape



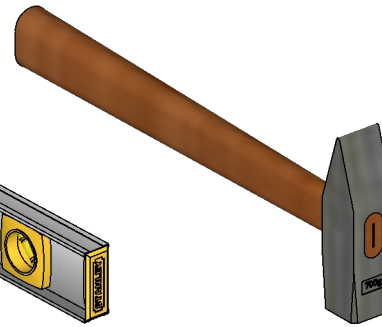
Marker pen



Circular saw



Water level



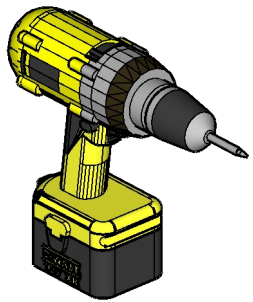
Hammer



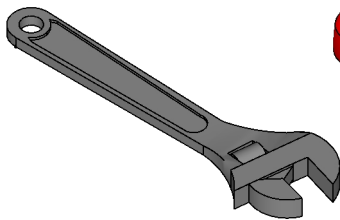
Extra hands



Screwdriver



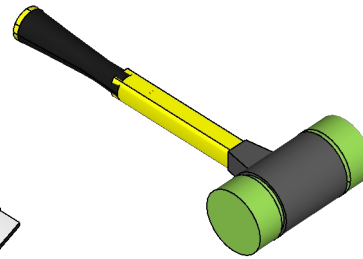
Drill



Crescent wrench



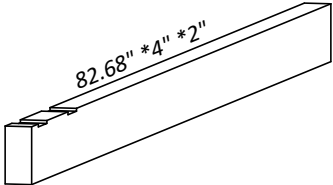
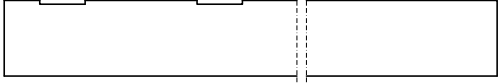
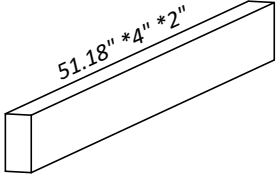

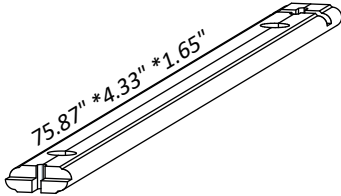
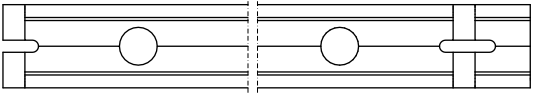
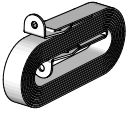
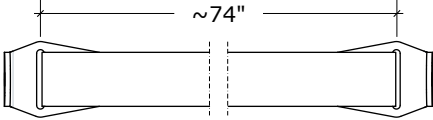
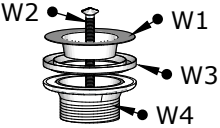
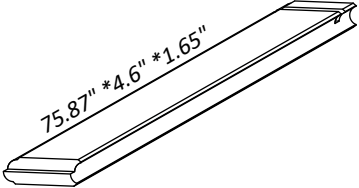

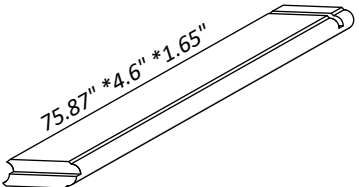

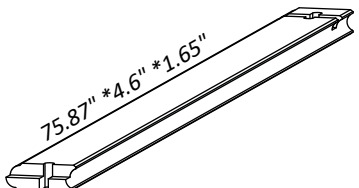
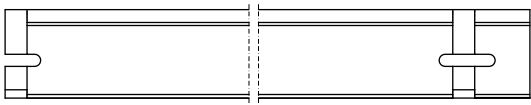
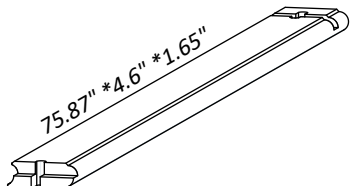
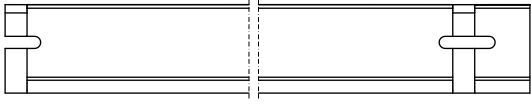
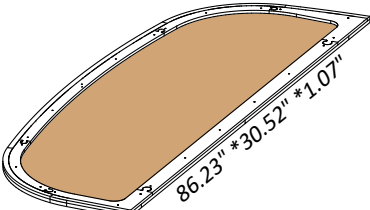
Utility knife

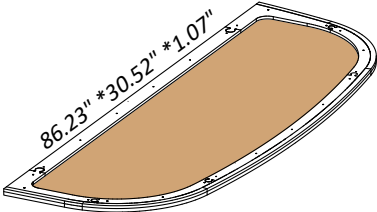
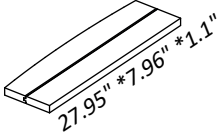
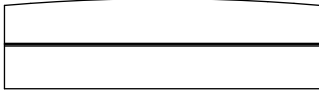
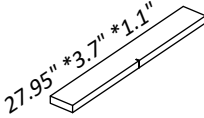
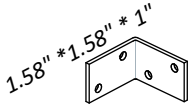
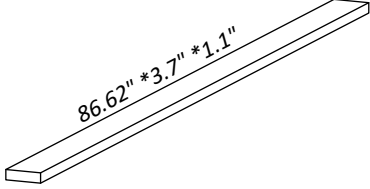
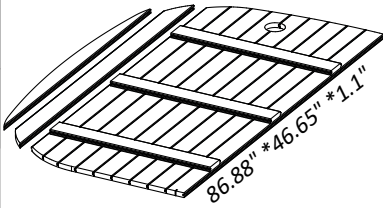
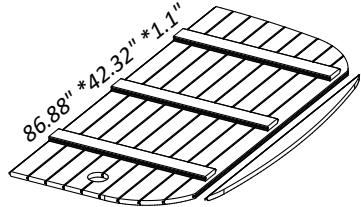
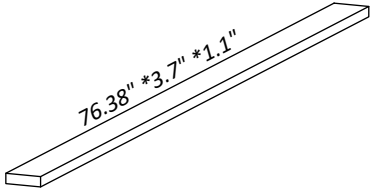
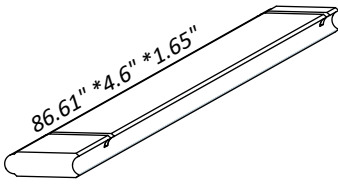
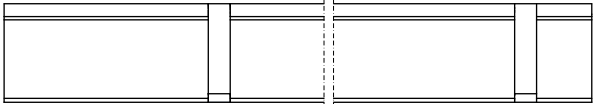
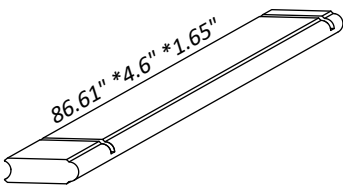
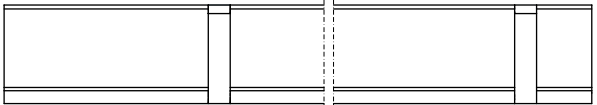


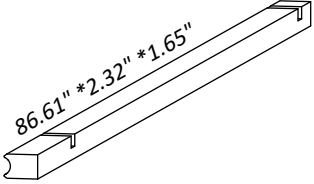

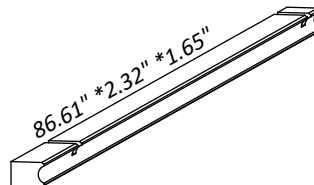

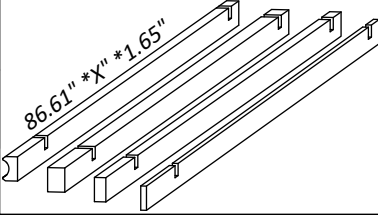
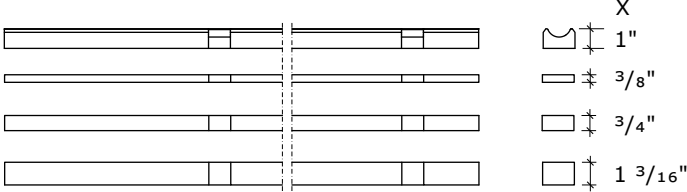
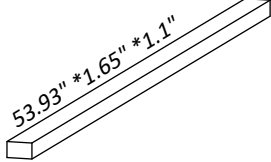
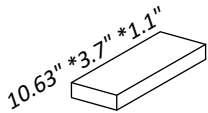
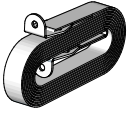
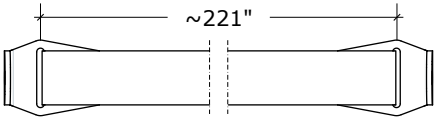


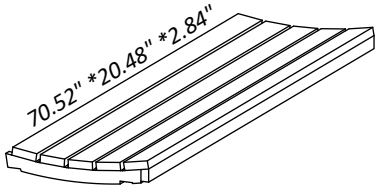
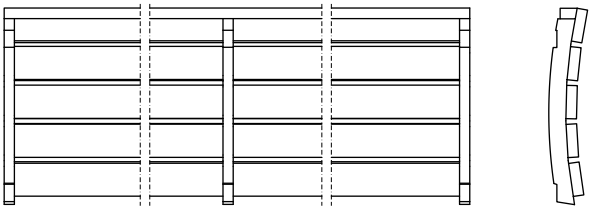
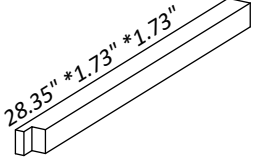
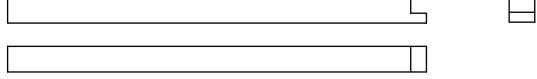
Rubber mallet

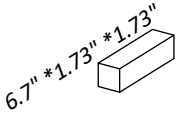
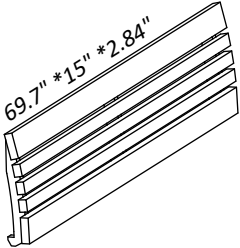
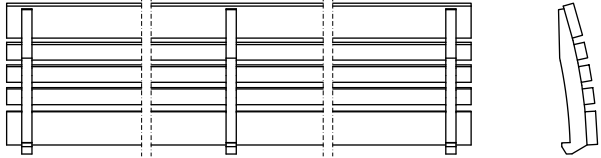
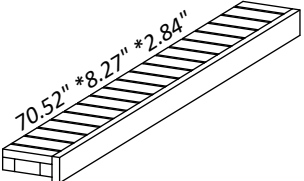

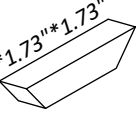

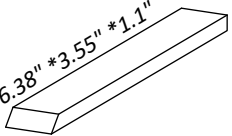
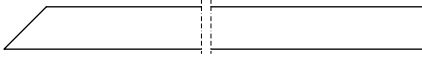
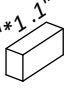
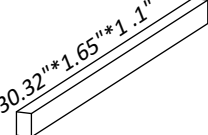
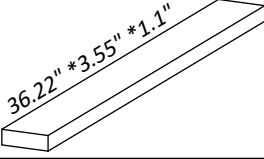
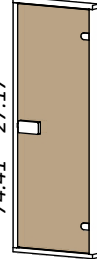
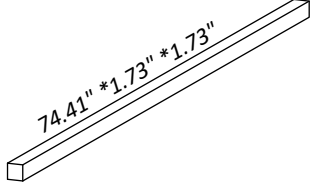


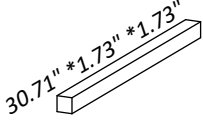
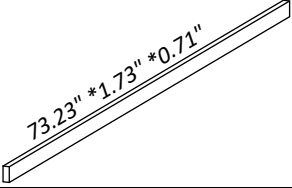
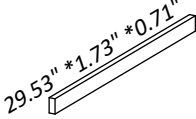
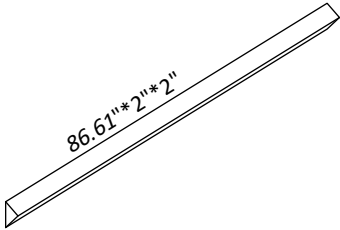

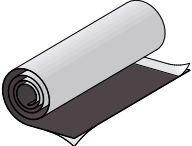
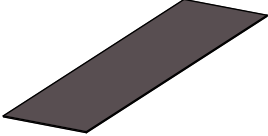
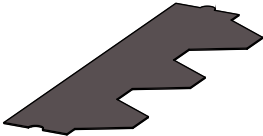
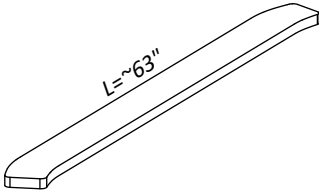
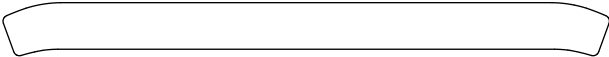
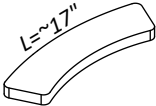

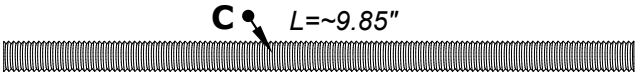


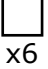




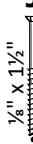
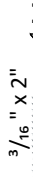
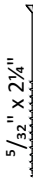
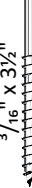
Ratchet strap

<p>DET 1</p> <p>Article. K-SM100/2100XX</p>	<p>x2</p>		
<p>DET 2</p> <p>Article. K-SM100/1300</p>	<p>x6</p>		
<p>DET 3</p> <p>Article. T-STL117/1927XLM01</p>	<p>x1</p>		
<p>DET A1</p> <p>Article. MU-VIT1880-KLZN</p>	<p>x3</p>		
<p>DET W</p> <p>Article. MU-TRAPP</p>	<p>x2 kmpł</p>		
<p>DET 3b</p> <p>Article. T-STL117/1927-01V</p>	<p>x5</p>		
<p>DET 3a</p> <p>Article. T-STL117/1927-01P</p>	<p>x5</p>		
<p>DET 3b/H</p> <p>Article. T-STL117/1927-02V</p>	<p>x1</p>		
<p>DET 3a/H</p> <p>Article. T-STL117/1927-02P</p>	<p>x1</p>		
<p>DET Sb</p> <p>Article. IC-TE-26-PR-12/15V</p>	<p>x1</p>		

<p>DET Sa</p> <p>Article. IC-TE-26-PR-12/15P</p>	<p>x1</p>		
<p>DET Ta</p> <p>Article. T-SL117/710UK1</p>	<p>x1</p>		
<p>DET Tb</p> <p>Article. T-TL94/710J</p>	<p>x1</p>		
<p>DET V</p> <p>Article. KI-VIN-25/40/40-ZN</p>	<p>x4</p>		
<p>DET U1</p> <p>Article. K-TL94/2200</p>	<p>x1</p>		
<p>DET Y1</p> <p>Article. T-IC-PTS-226/28-V</p>	<p>x1</p>		
<p>DET Y2</p> <p>Article. T-IC-PTS-226/28-P</p>	<p>x1</p>		
<p>DET U2</p> <p>Article. K-TL94/1940</p>	<p>x1</p>		
<p>DET 3d</p> <p>Article. T-STL117/2200-01V</p>	<p>x31</p>		
<p>DET 3c</p> <p>Article. T-STL117/2200-01P</p>	<p>x30</p>		

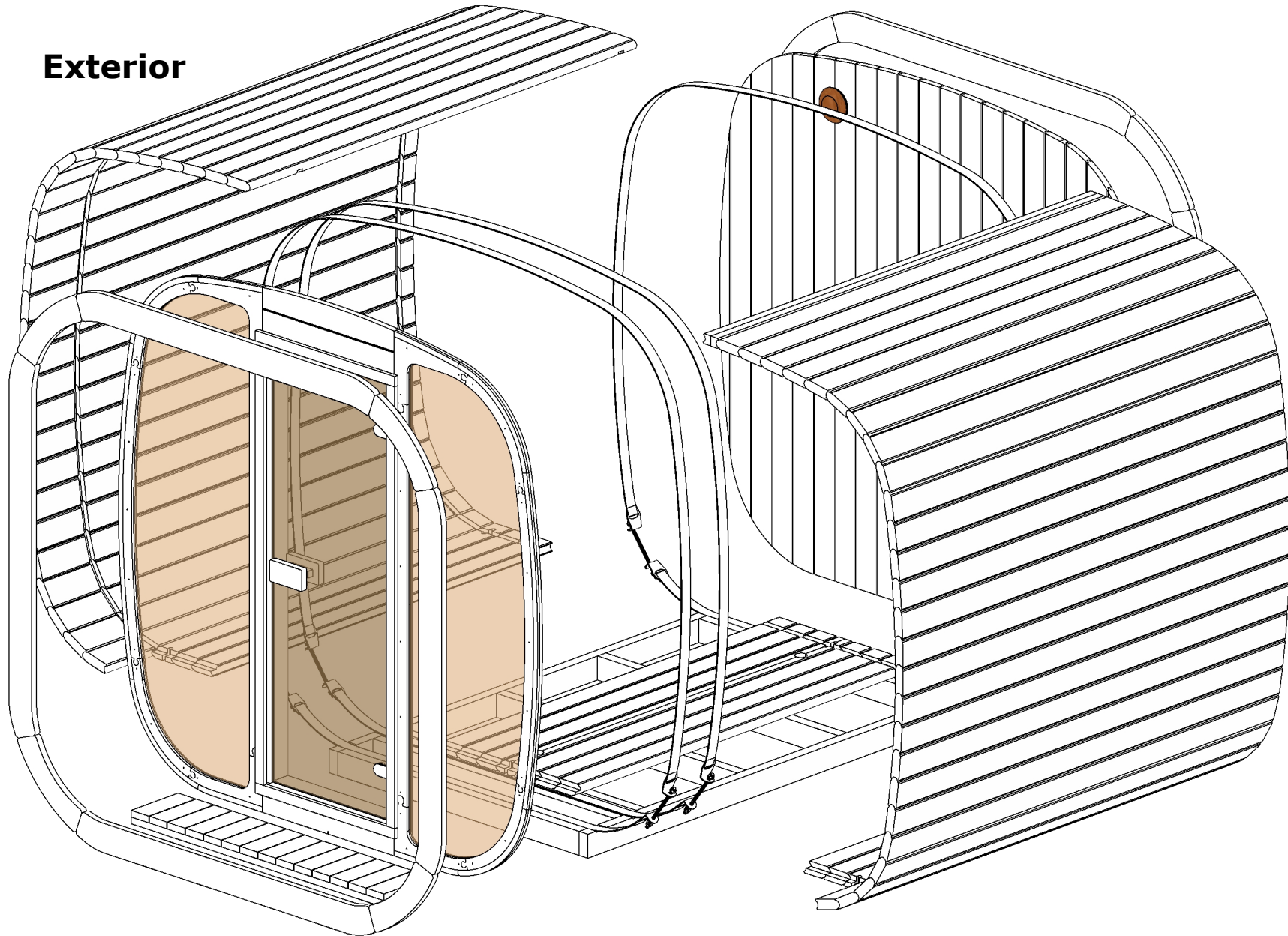
<p>DET 6a</p> <p>Article. T-STL117/2200XL-01P</p>	<p>x1</p>		
<p>DET 6b</p> <p>Article. T-STL117/2200XL-01V</p>	<p>x1</p>		
<p>DET 6c/d/e/f</p> <p>Article. T-STL117/2200KO-01</p>	<p>x1</p>		
<p>DET 4a</p> <p>Article. T-TL42/1370</p>	<p>x2</p>		
<p>DET 4b</p> <p>Article. T-TL94/270</p>	<p>x15</p>		
<p>DET A2</p> <p>Article. MU-VIT5600-KLZN</p>	<p>x3</p>		
<p>DET G</p> <p>Article. MU-VENT-100-PU</p>	<p>x1</p>		
<p>DET F</p> <p>Article. MU-VENT-100-ZN</p>	<p>x3</p>		
<p>DET 10</p> <p>Article. TL-LAMOD-1791-KA01</p>	<p>x2</p>		
<p>DET 10b</p> <p>Article. T-HP44/720XP01</p>	<p>x4</p>		

<p>DET 10c</p> <p>Article. T-HP44/170</p>	<p>x6</p>	 <p>6.7" * 1.73" * 1.73"</p>	
<p>DET 11</p> <p>Article. TL-STMOD-1770-KA01</p>	<p>x2</p>	 <p>69.7" * 15" * 2.84"</p>	
<p>DET 12</p> <p>Article. TL-LAMOD-1791/210</p>	<p>x2</p>	 <p>70.52" * 8.27" * 2.84"</p>	
<p>DET 12a</p> <p>Article. T-HP44/250XP-XP</p>	<p>x4</p>	 <p>9.85" * 1.73" * 1.73"</p>	
<p>DET 15a</p> <p>Article. TL-LAV90/670XP</p>	<p>x2</p>	 <p>26.38" * 3.55" * 1.1"</p>	
<p>DET 15b</p> <p>Article. TL-LAV42/90</p>	<p>x2</p>	 <p>3.55" * 1.65" * 1.1"</p>	
<p>DET 15c</p> <p>Article. TL-LAV42/770</p>	<p>x2</p>	 <p>30.32" * 1.65" * 1.1"</p>	
<p>DET 15d</p> <p>Article. TL-LAV90/920</p>	<p>x1</p>	 <p>36.22" * 3.55" * 1.1"</p>	
<p>DET 21</p> <p>Article. U-KL-7/19-PR</p>	<p>x1</p>	 <p>74.41" * 27.17"</p>	
<p>DET 21c</p> <p>Article. K-HP44/1890</p>	<p>x2</p>	 <p>74.41" * 1.73" * 1.73"</p>	

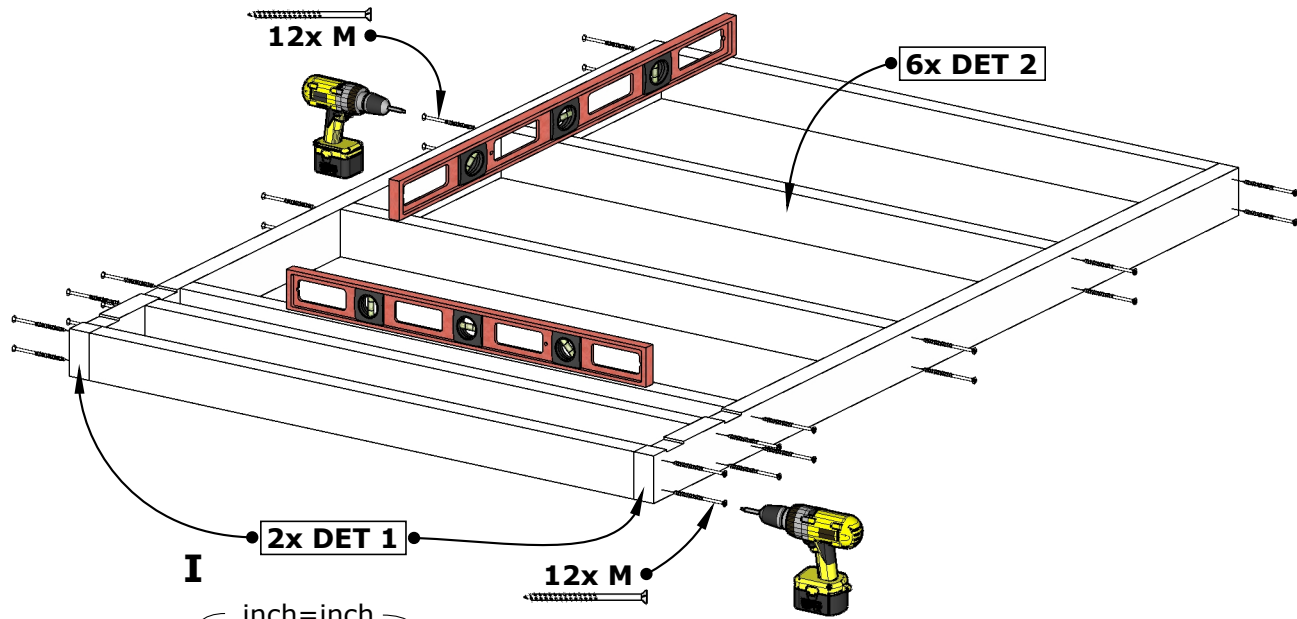
<p>DET 21d</p> <p>Article. K-HP44/780</p>	<p>x2</p>		
<p>DET 21a</p> <p>Article. K-HL44/1860</p>	<p>x2</p>		
<p>DET 21b</p> <p>Article. K-HL44/750</p>	<p>x2</p>		
<p>DET 22</p> <p>Article. T-STL-2200-XX</p>	<p>x2</p>		
<p>Underlay felt</p> <p>Article. KAT-AL</p>	<p>39' 5"</p>		
<p>DET N</p> <p>Article. KAT-HAR-MUST</p>	<p>x9</p>		
<p>DET O</p> <p>Article. KAT-SIN-MUST</p>	<p>x77</p>		
<p>DET 25a</p> <p>Article. MU-OL-IC-226-1</p>	<p>x8</p>		
<p>DET 25b</p> <p>Article. MU-OL-IC-226-2</p>	<p>x8</p>		
<p>Article. KI-KERL-12-RV6</p>  <p>D  x12</p> <p>E  x12</p> <p>C  x6</p>		<p>Article. KI-USA-ICO-226</p> <p>Bit PH2  </p> <p>Torx bits T10 T15 T20 T25</p> <p>L  ~430</p> <p>K  1/8" x 1 1/4" x20</p> <p>J  1/8" x 1 1/2" x60</p> <p>I  3/16" x 2" x40</p> <p>H  5/32" x 2 1/4" x340</p> <p>M  3/16" x 3 1/2" x80</p>	

CL7G Outdoor Sauna 87D" x 91W" x 93H"

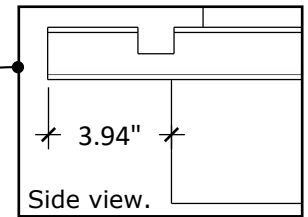
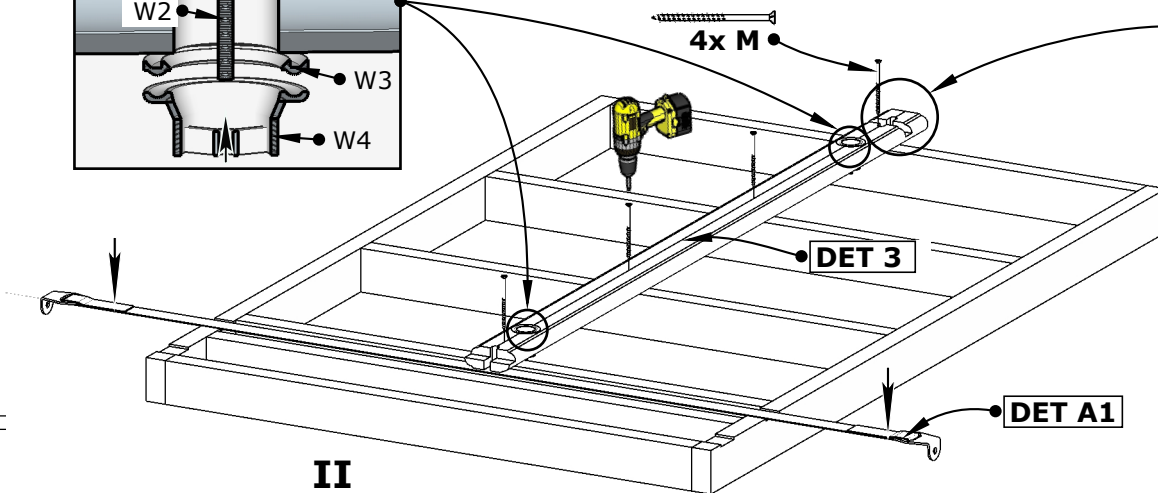
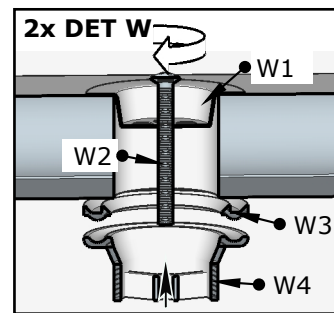
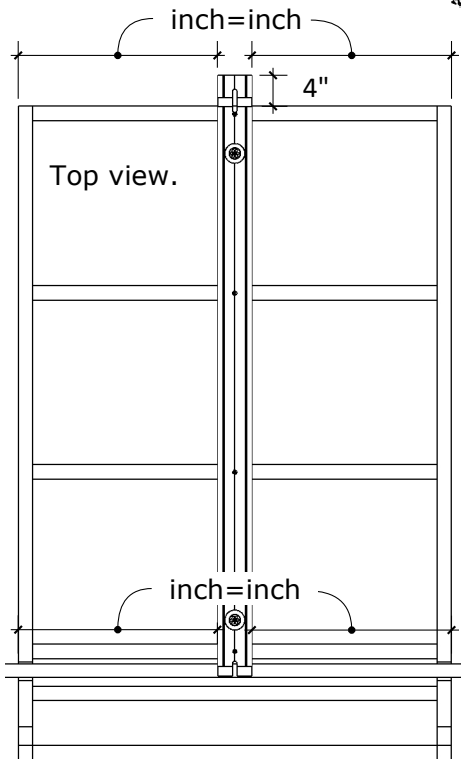
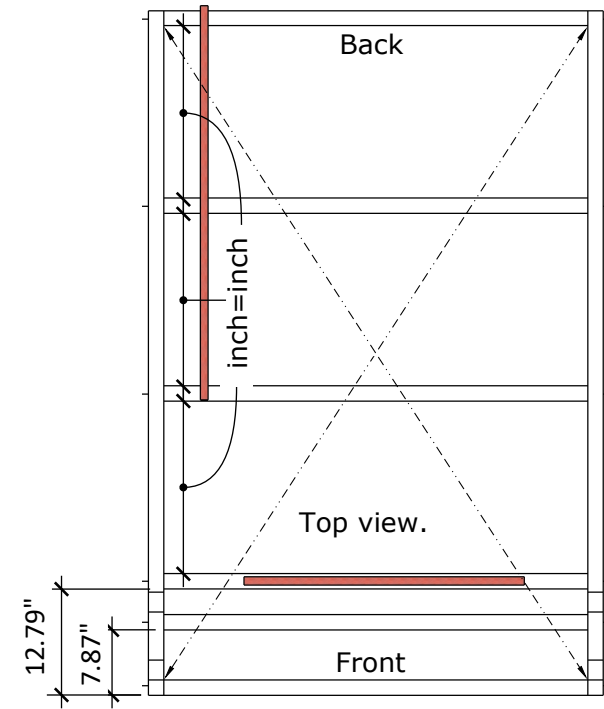
Exterior



CL7G Outdoor Sauna 87D" x 91W" x 93H"

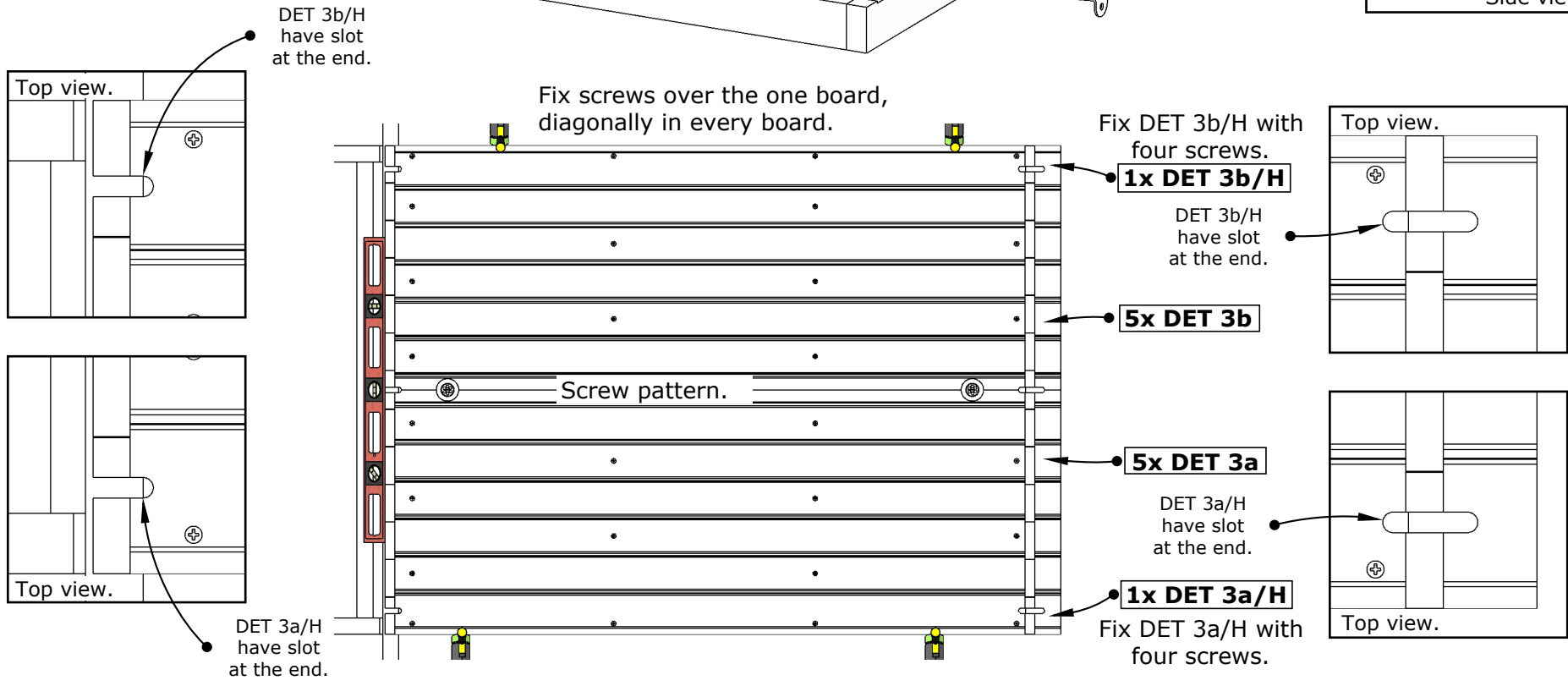
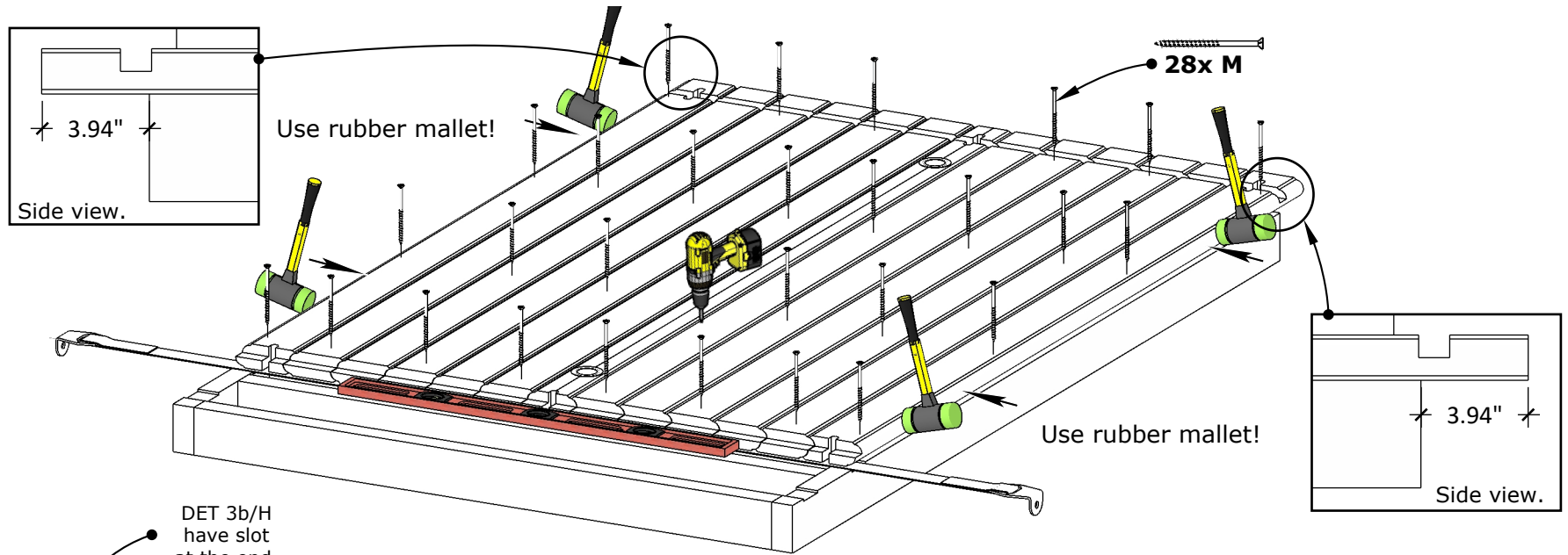


Diagonal measurements should be equal!



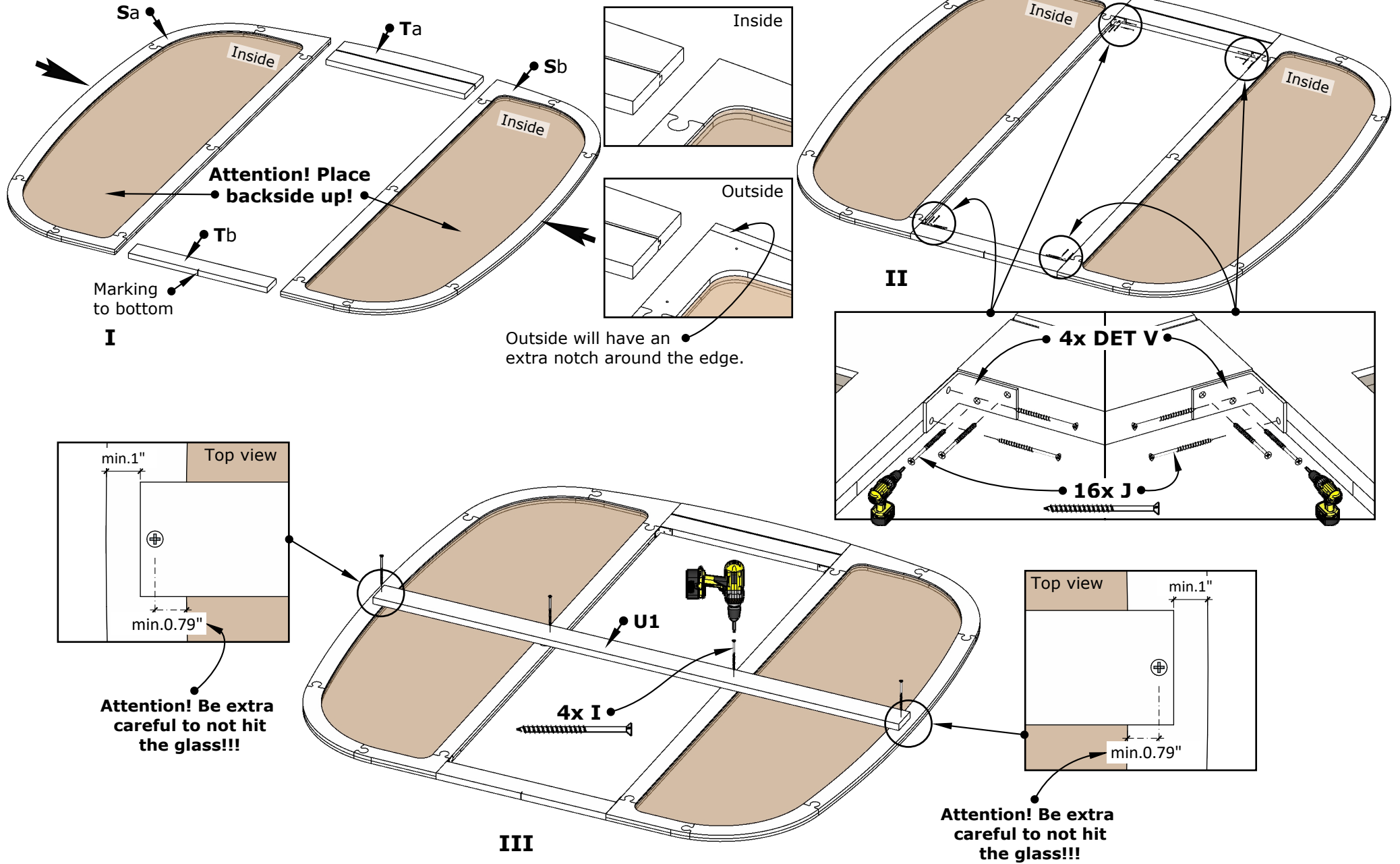
Attention!
Install DET A1
before DET 3.

CL7G Outdoor Sauna 87D" x 91W" x 93H"



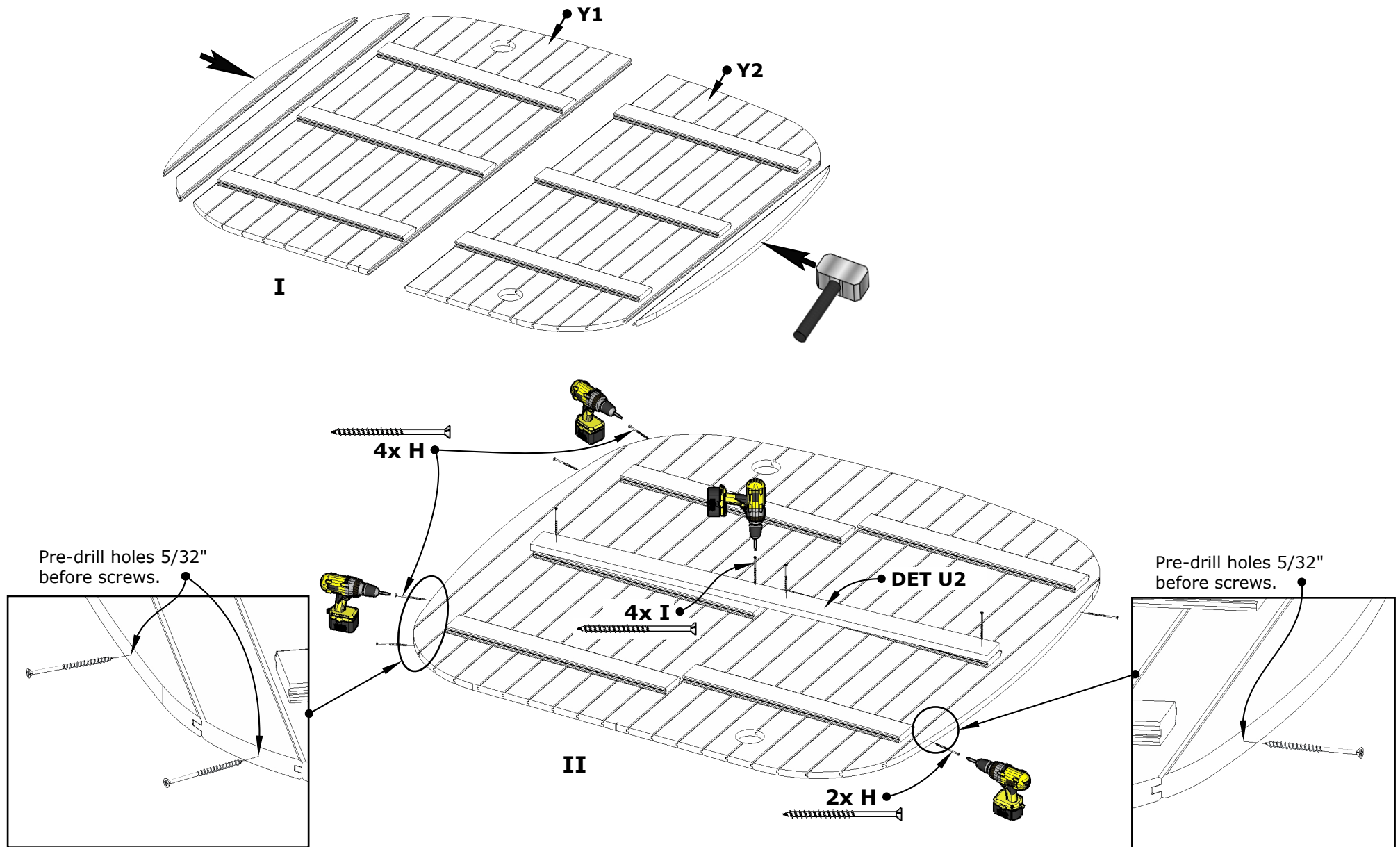
CL7G Outdoor Sauna 87D" x 91W" x 93H"

Front glass-wall assembly

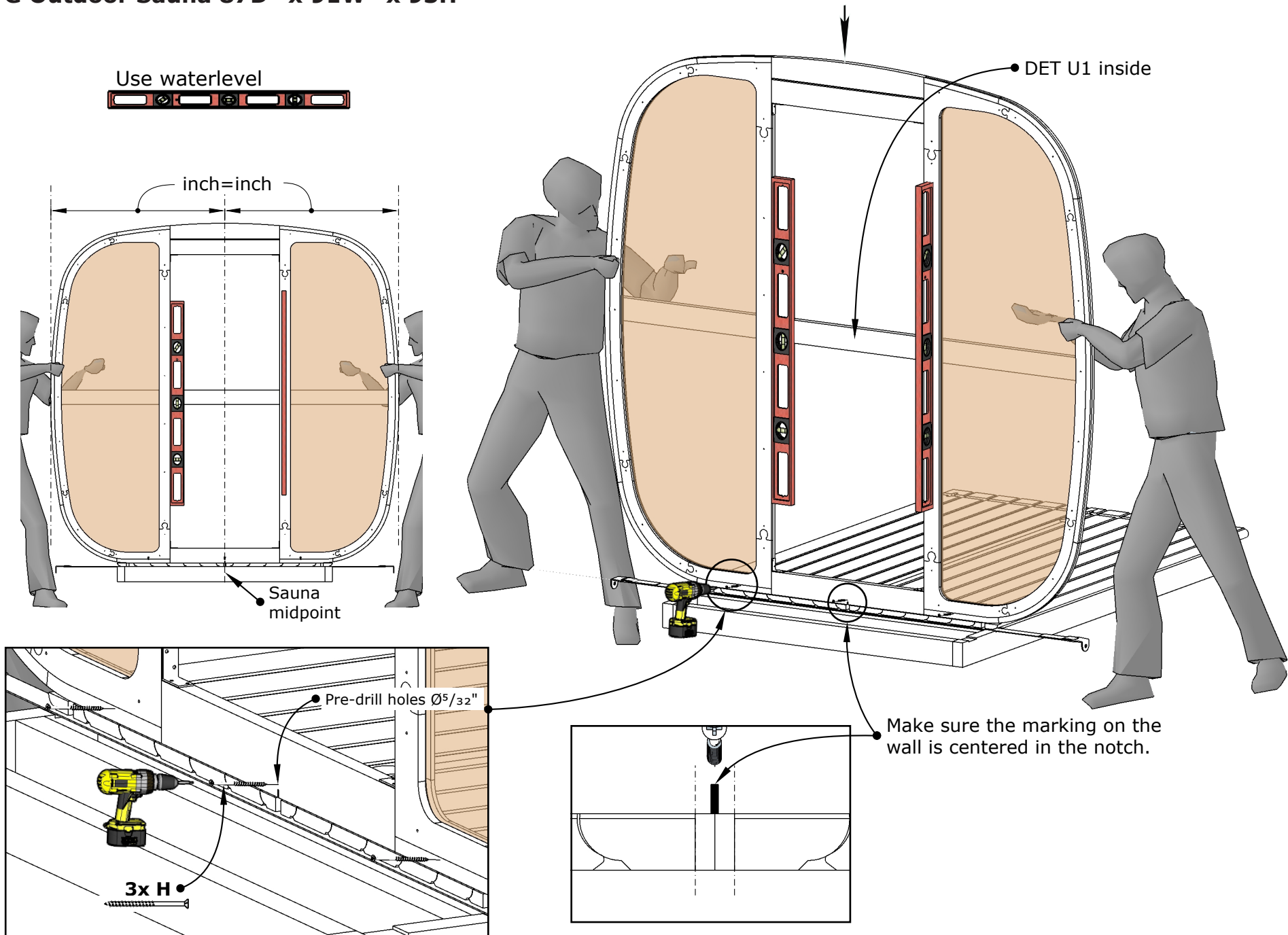


CL7G Outdoor Sauna 87D" x 91W" x 93H"

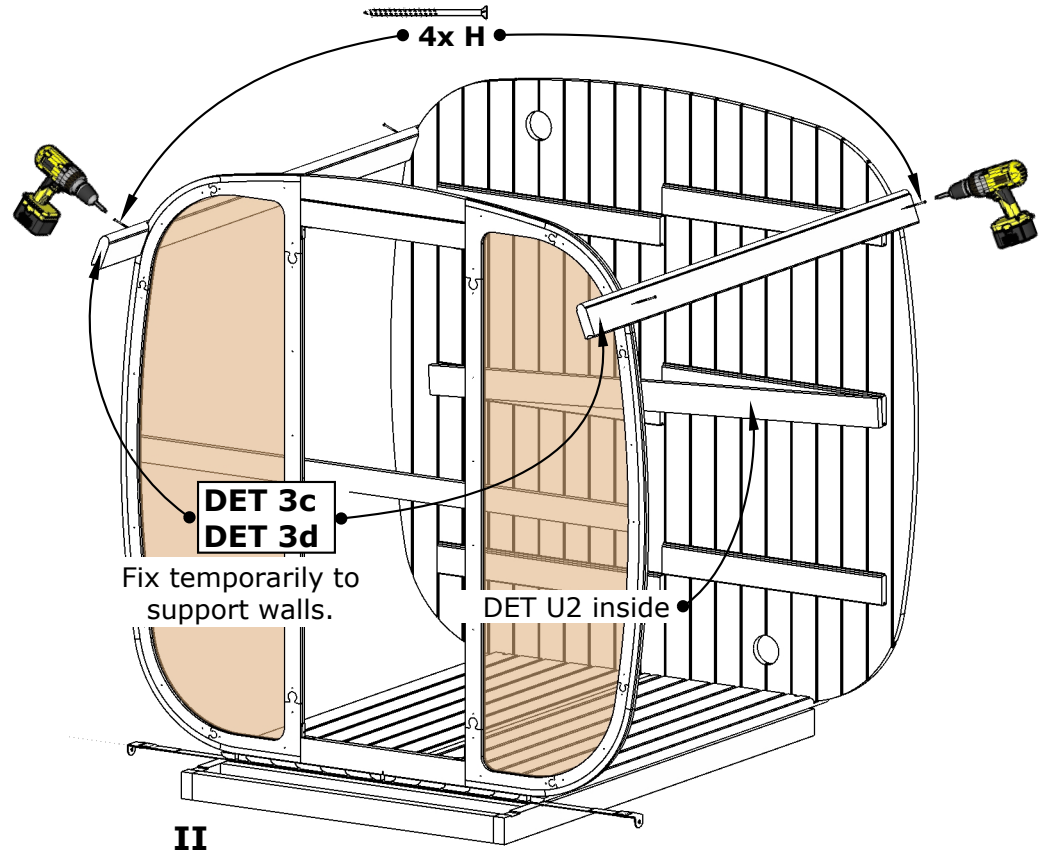
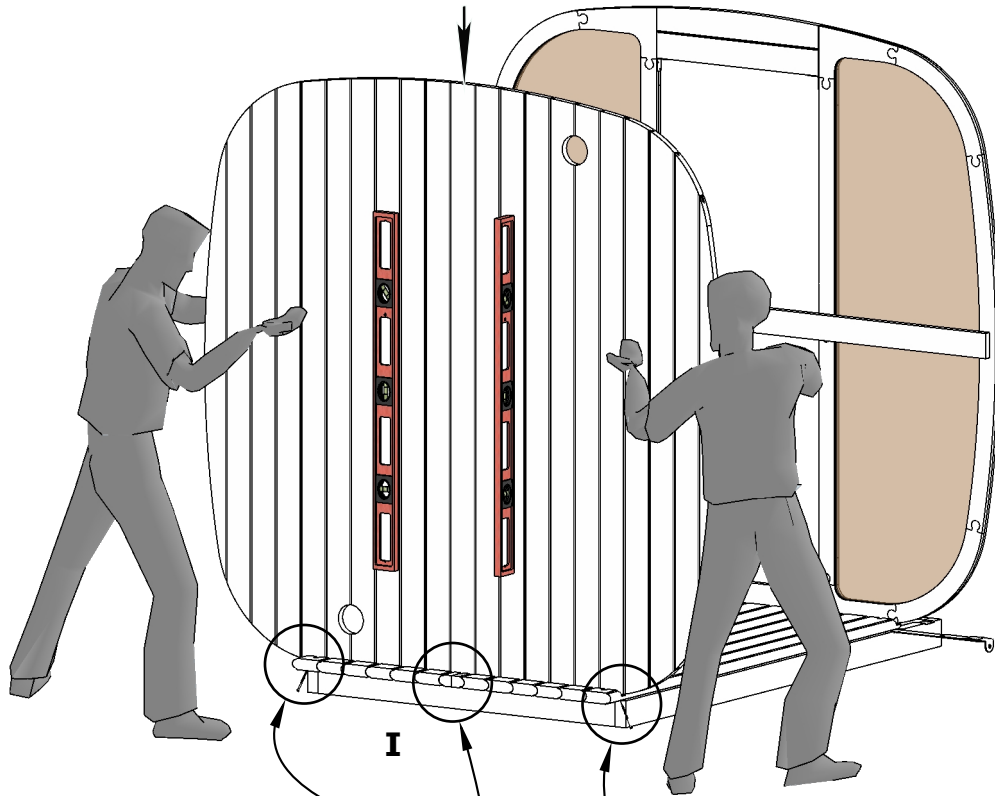
Wooden back wall assembly



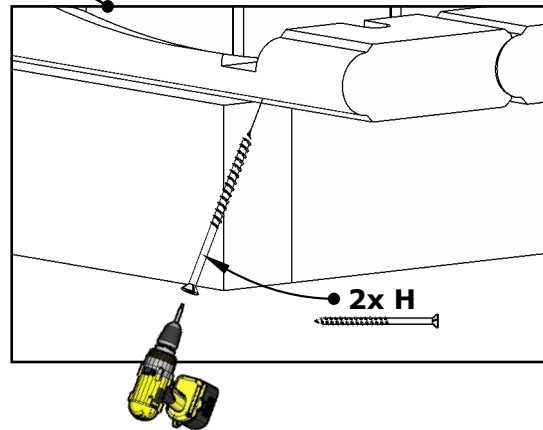
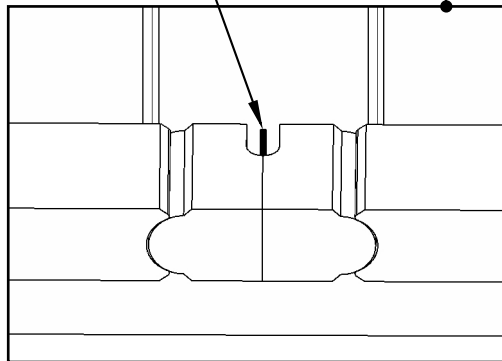
CL7G Outdoor Sauna 87D" x 91W" x 93H"



CL7G Outdoor Sauna 87D" x 91W" x 93H"



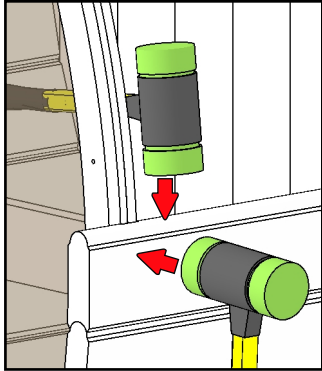
Make sure the marking on the wall is centered in the notch.



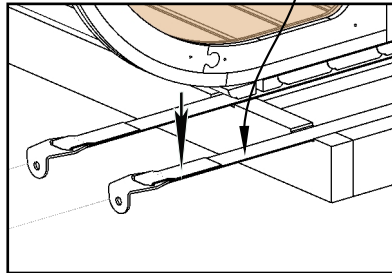
CL7G Outdoor Sauna 87D" x 91W" x 93H"

Remove DET 3c/d from their temporary positions and use during the next step.

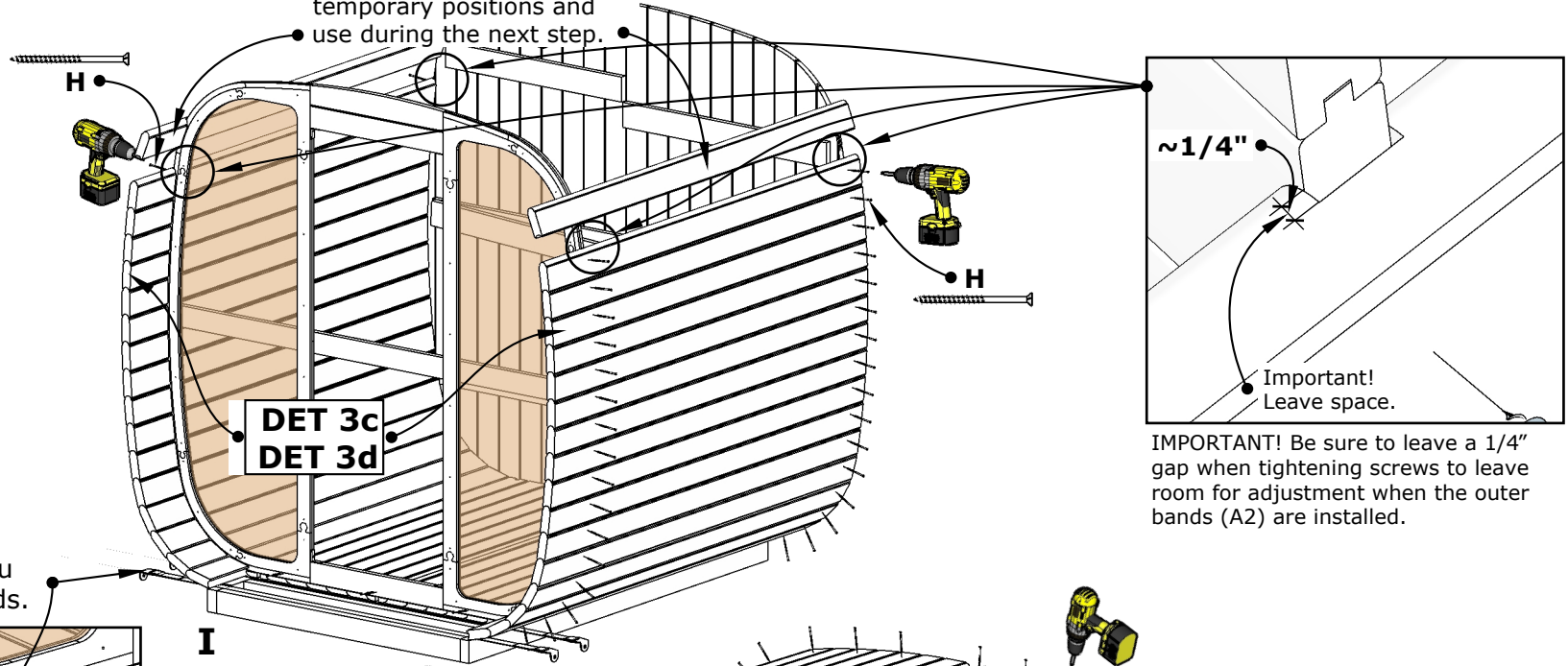
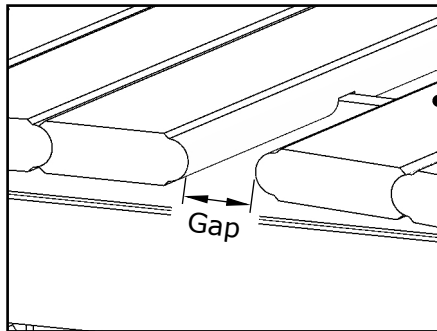
Use rubber mallet!



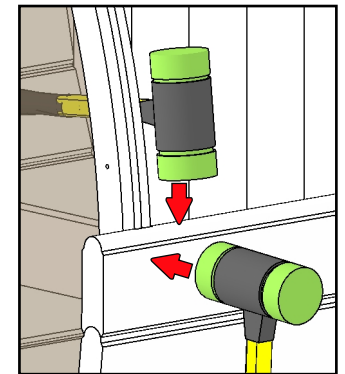
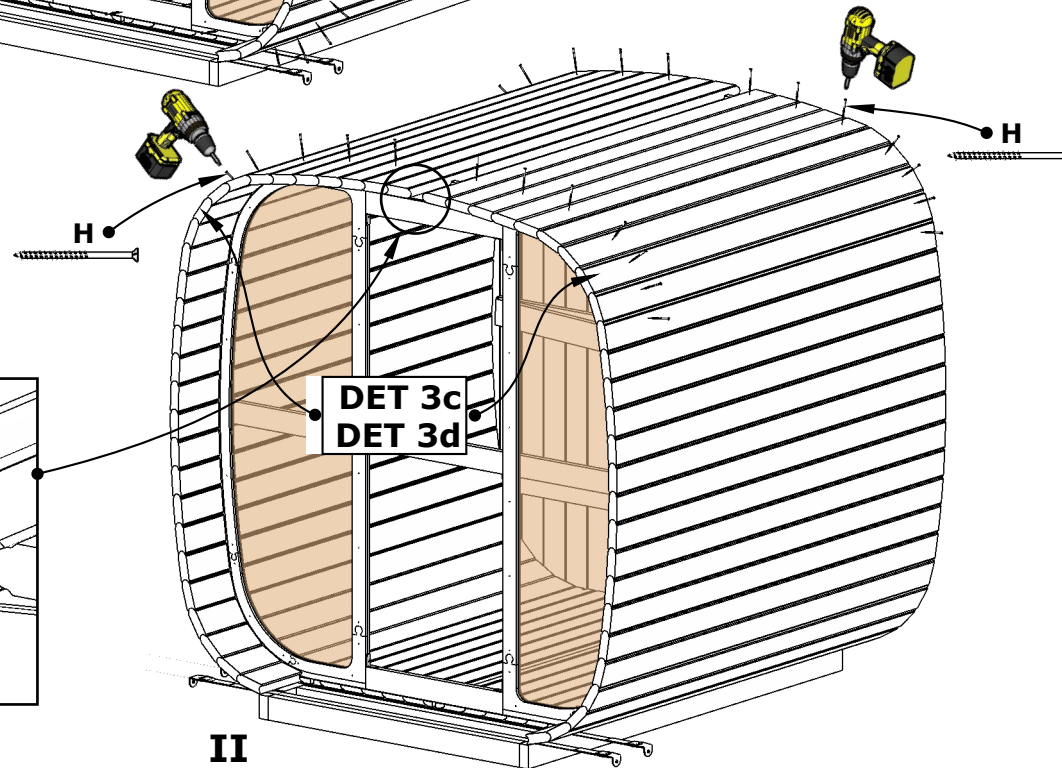
Place DET A1 before you start installing wallboards.



See the next page.

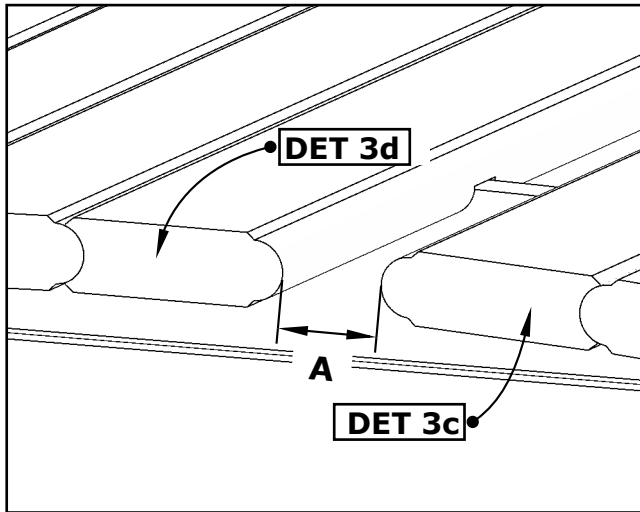


IMPORTANT! Be sure to leave a 1/4" gap when tightening screws to leave room for adjustment when the outer bands (A2) are installed.

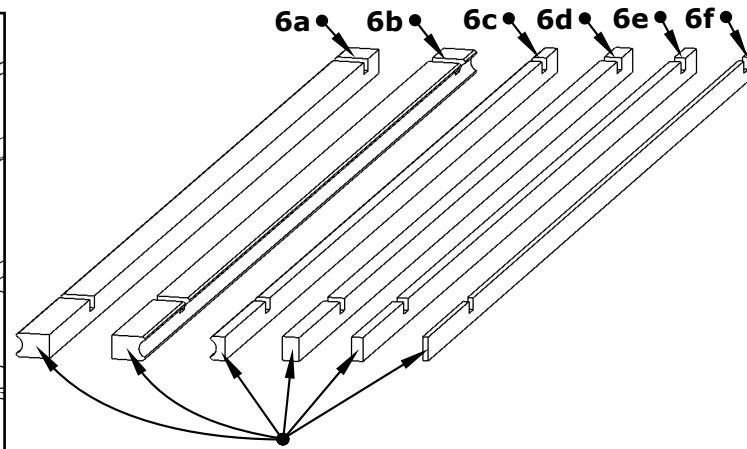


Use rubber mallet!

CL7G Outdoor Sauna 87D" x 91W" x 93H"

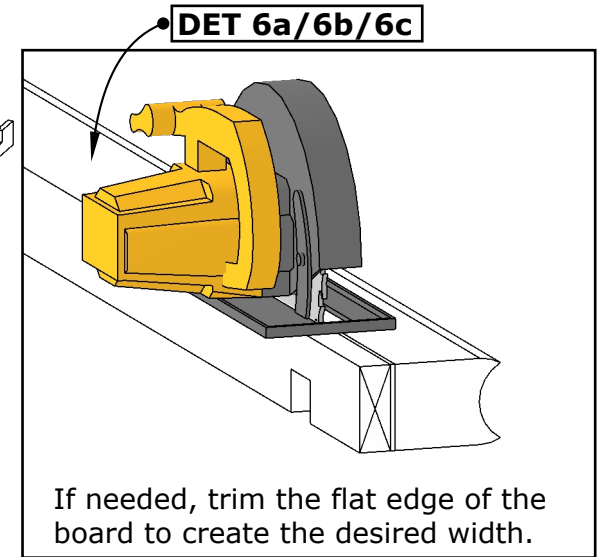


I

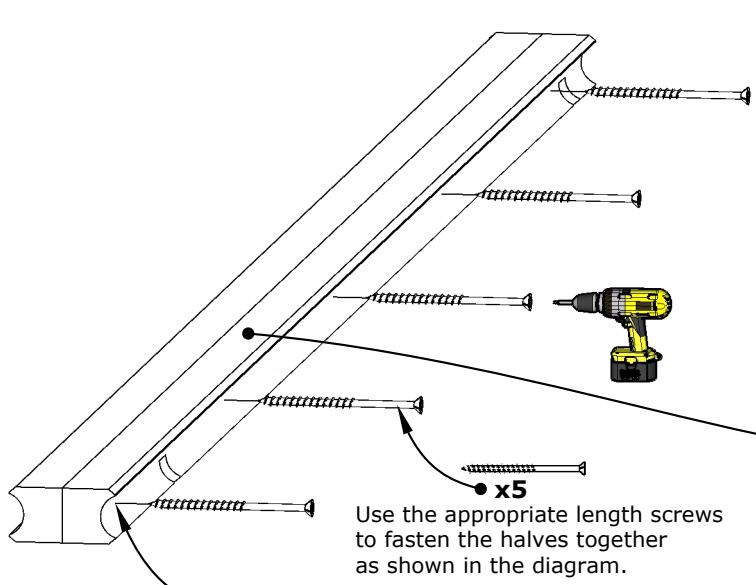


Join boards together (as shown in diagram III) that will bridge the width of the "A" gap. It is recommended that the combined boards are approximately 1/4" wider than the gap.

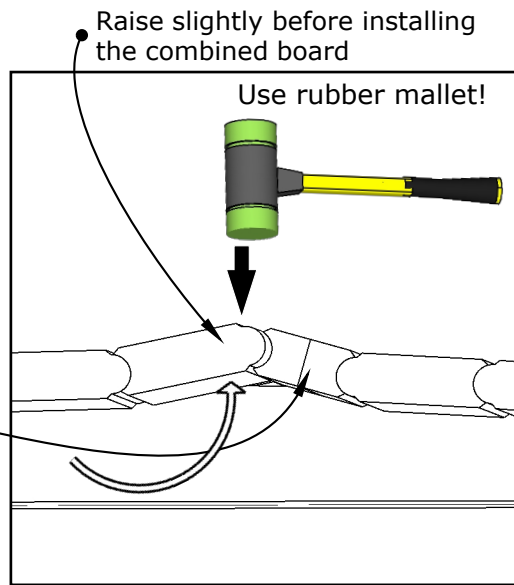
II



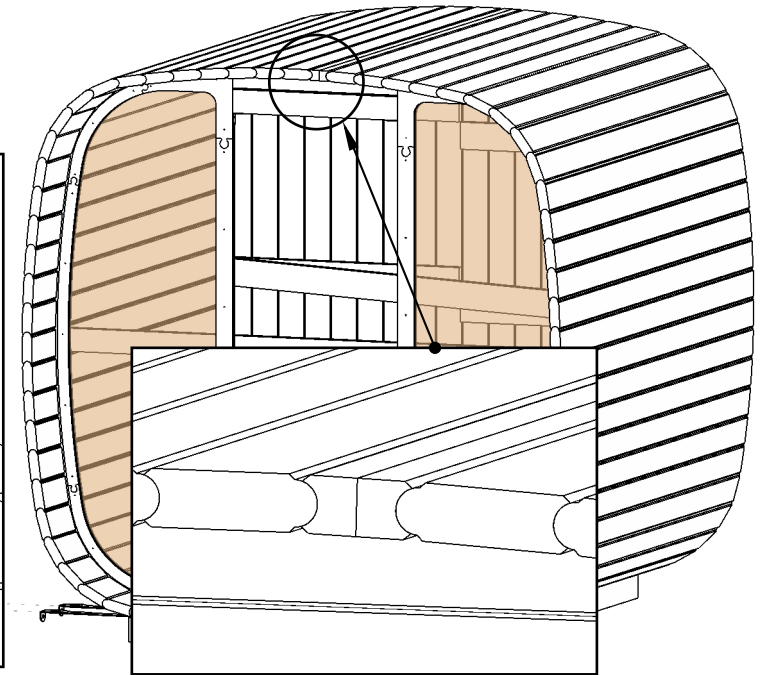
If needed, trim the flat edge of the board to create the desired width.



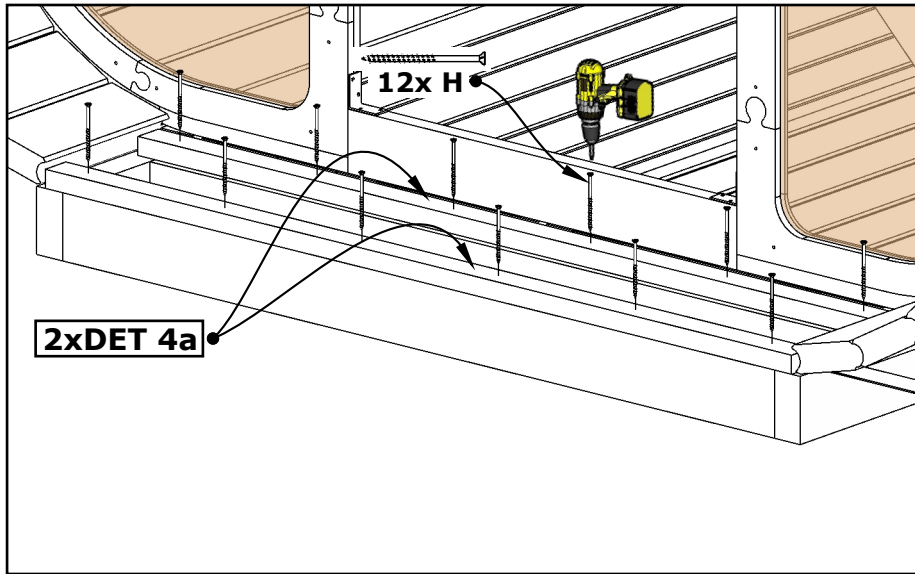
III



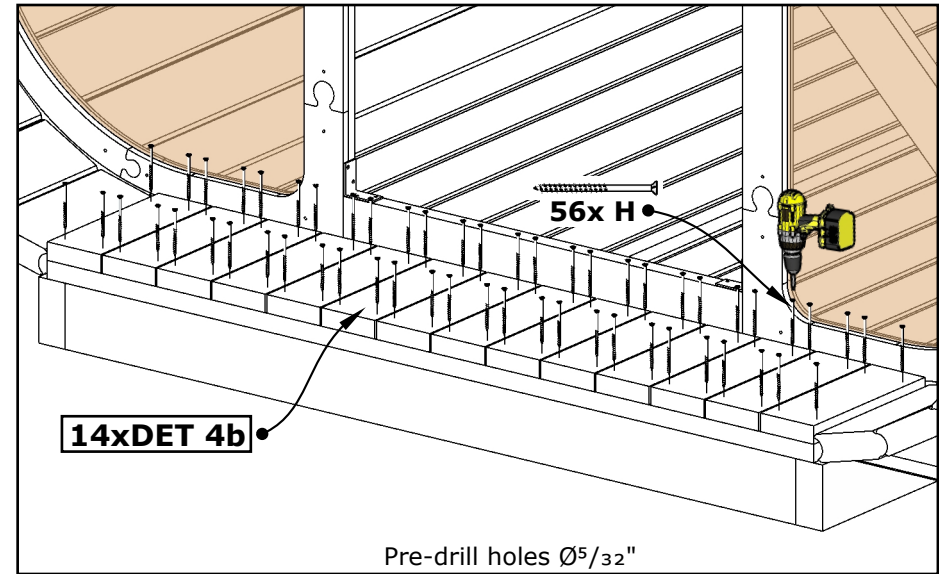
IV



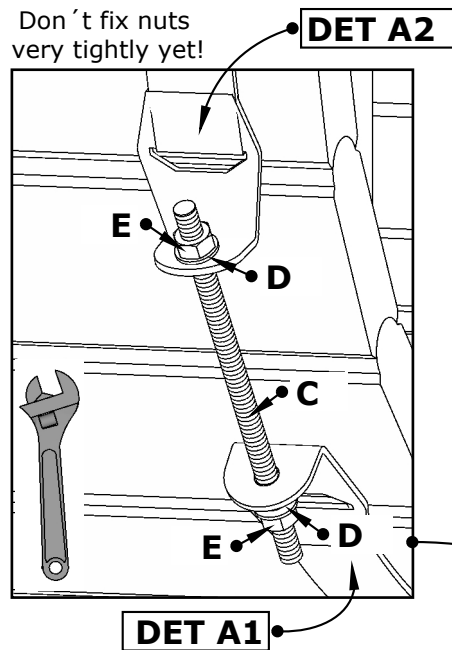
CL7G Outdoor Sauna 87D" x 91W" x 93H"



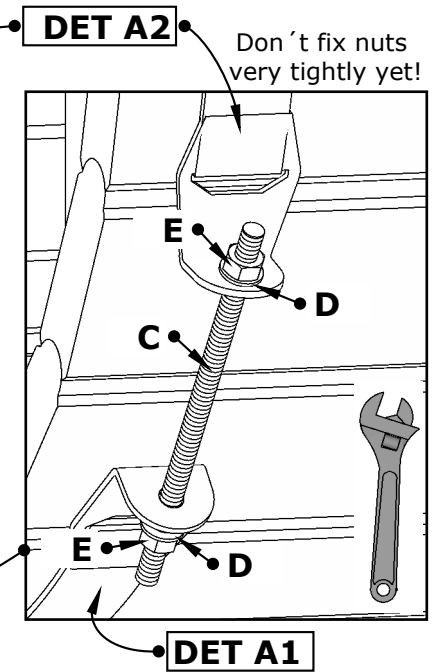
I



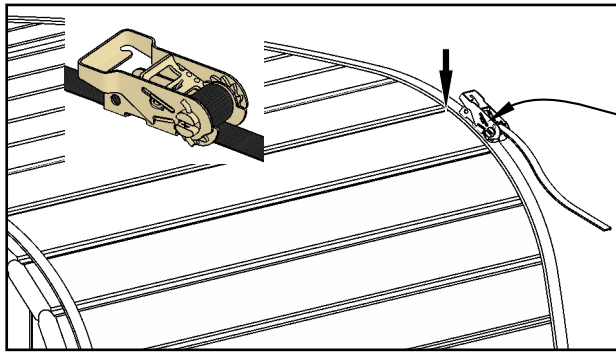
II



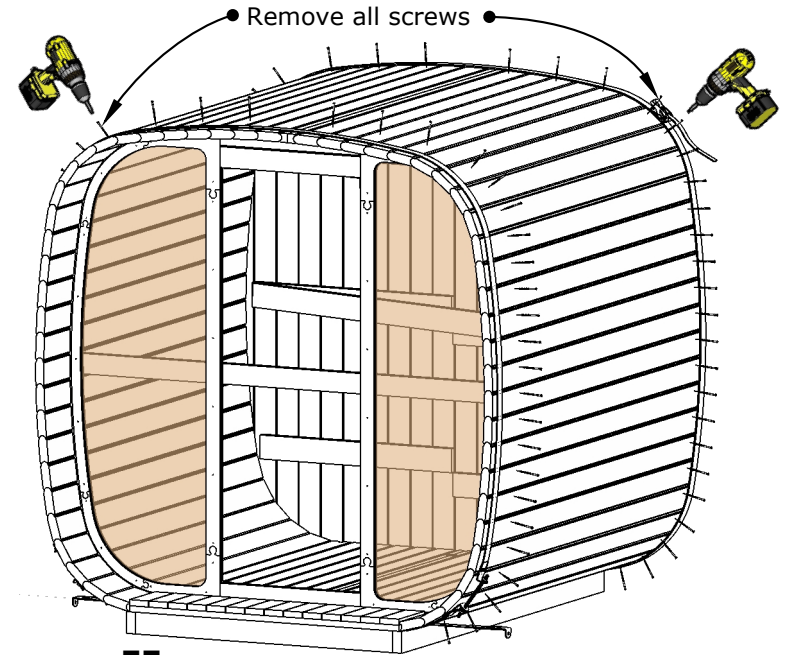
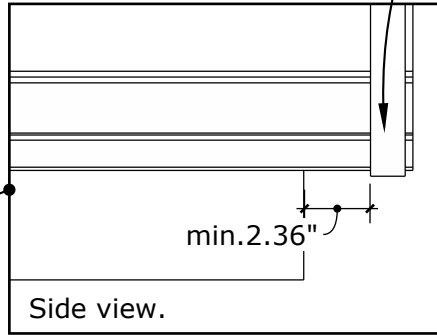
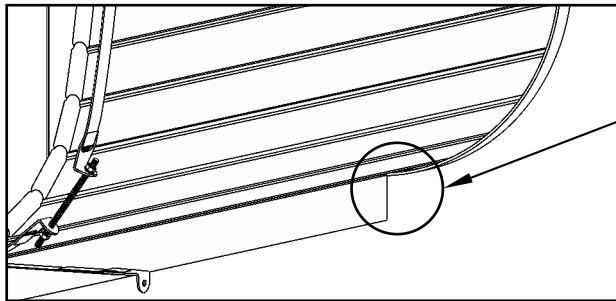
III



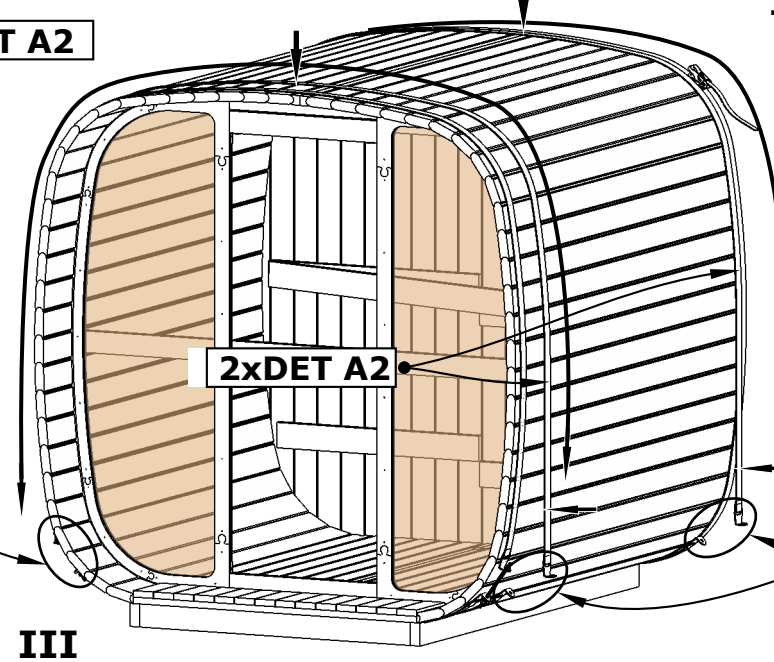
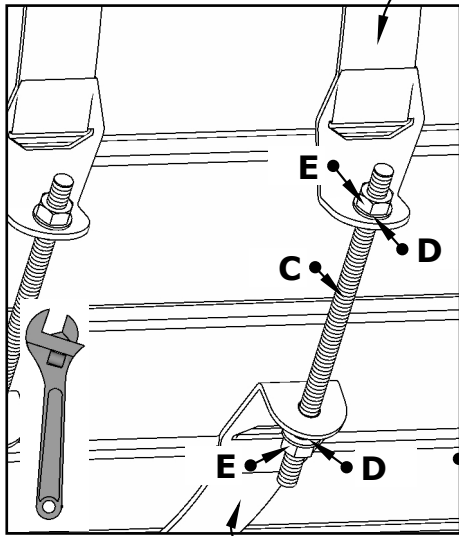
CL7G Outdoor Sauna 87D" x 91W" x 93H"



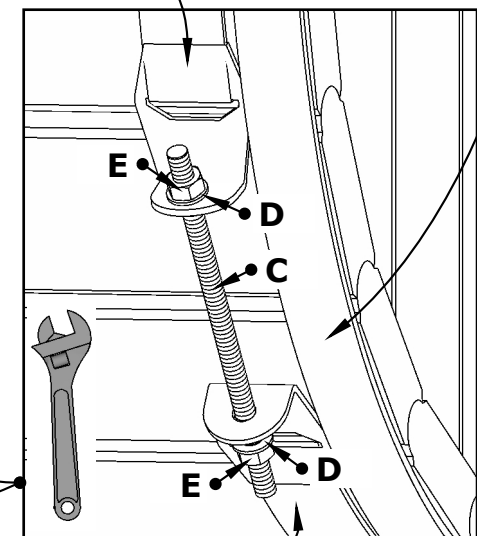
Place ratchet strap near the ends of the boards. Pay attention to measurement.



I Now fix all nuts tightly!

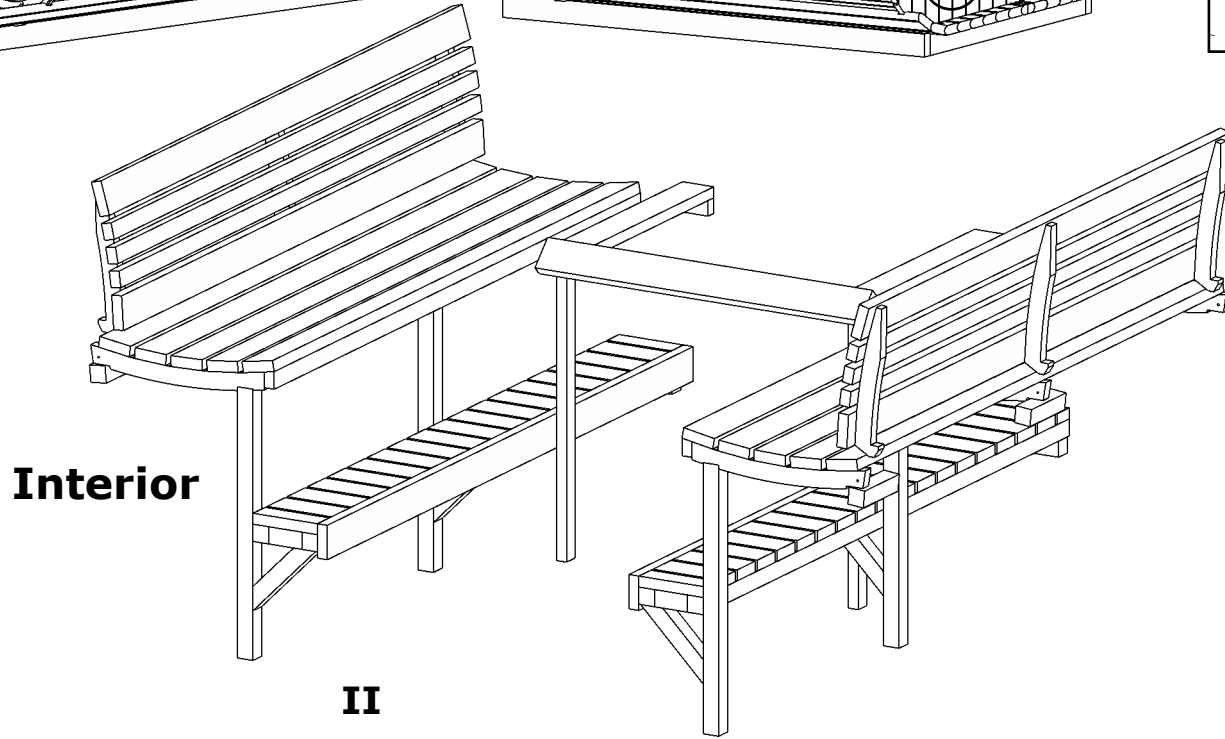
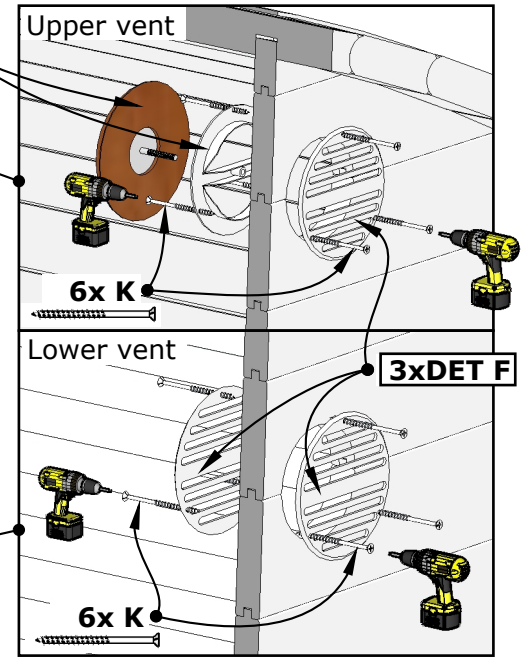
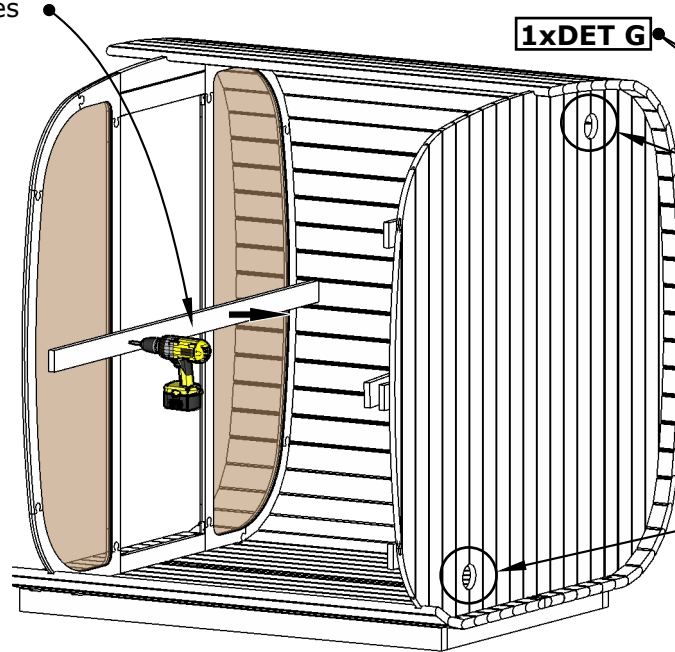
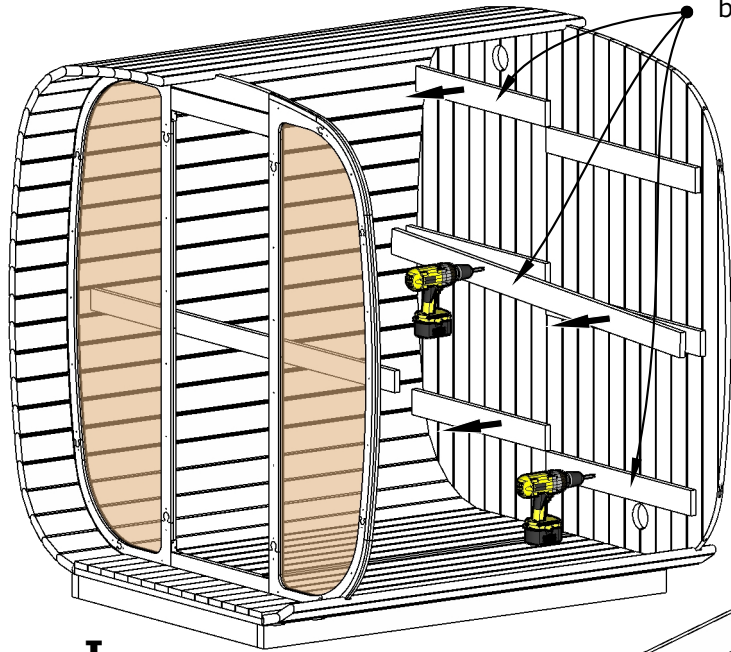


II Now fix all nuts tightly! Remove ratchet strap!

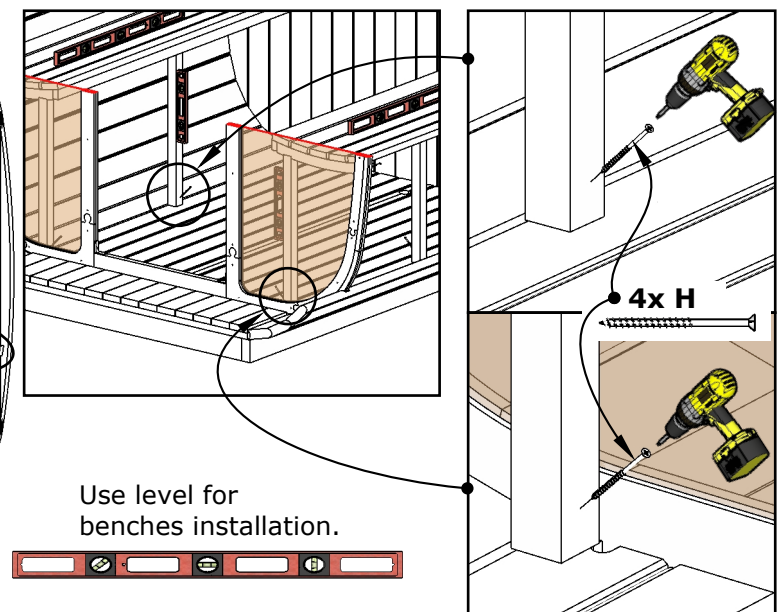
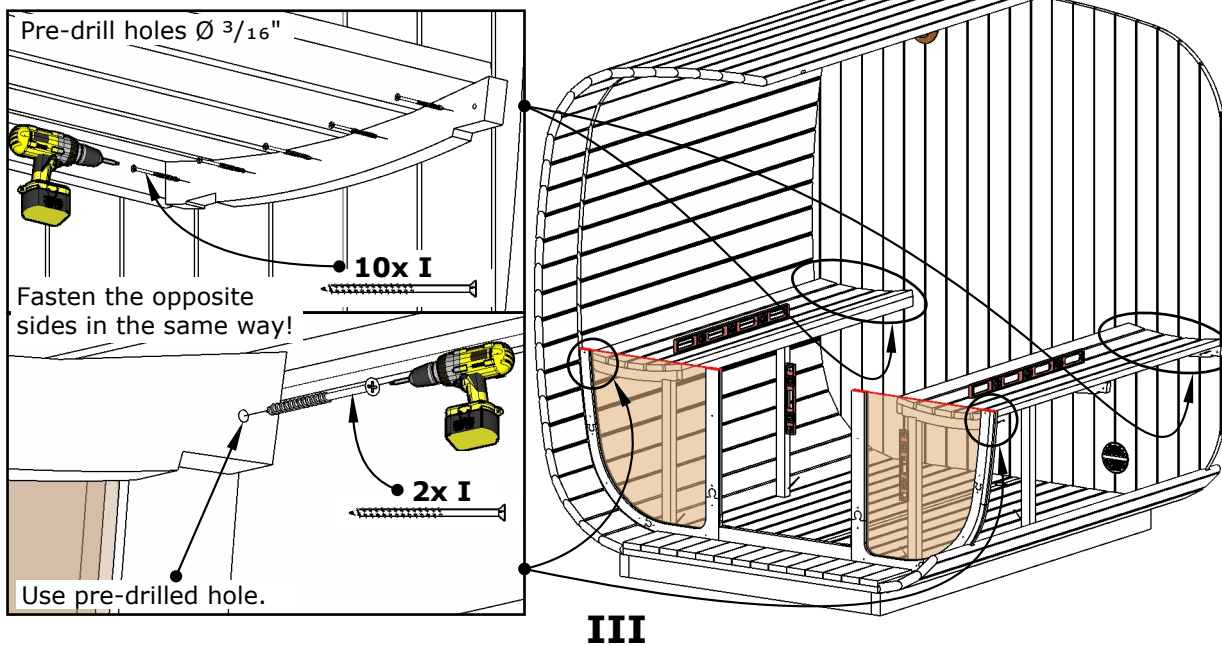
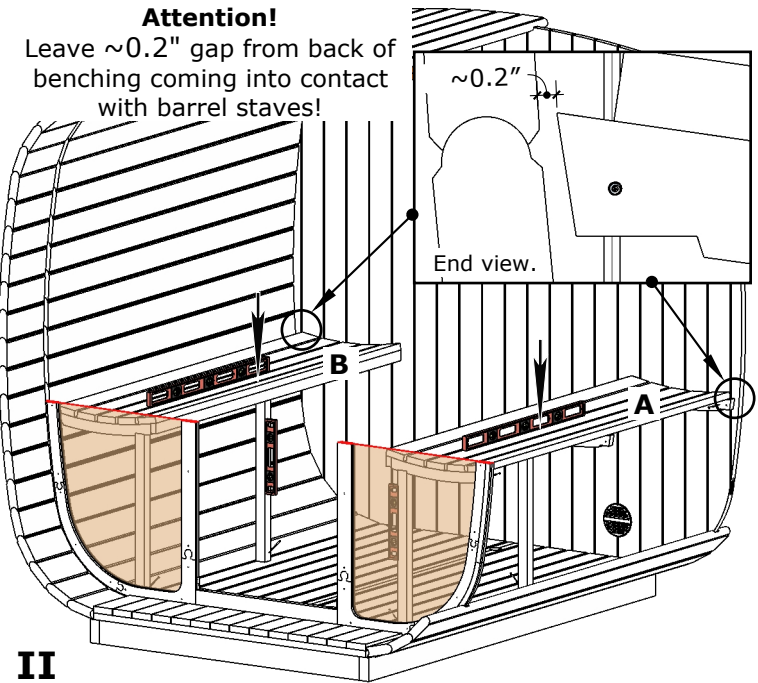
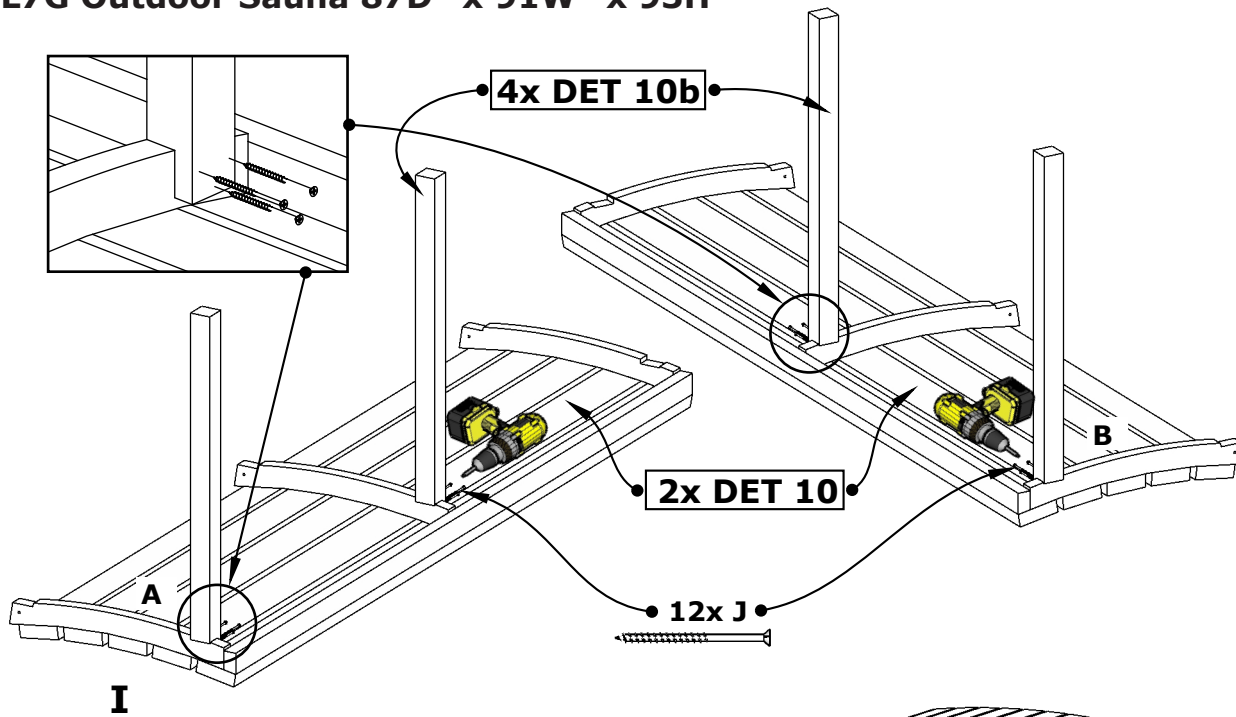


CL7G Outdoor Sauna 87D" x 91W" x 93H"

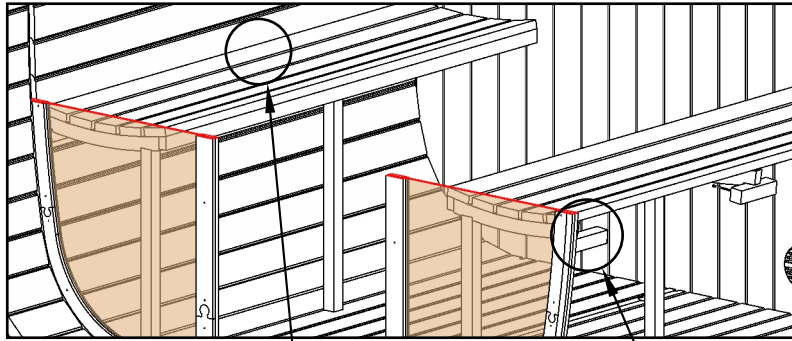
Remove all temporary braces



CL7G Outdoor Sauna 87D" x 91W" x 93H"

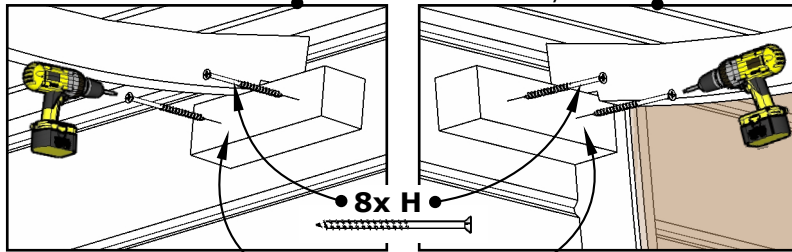


CL7G Outdoor Sauna 87D" x 91W" x 93H"



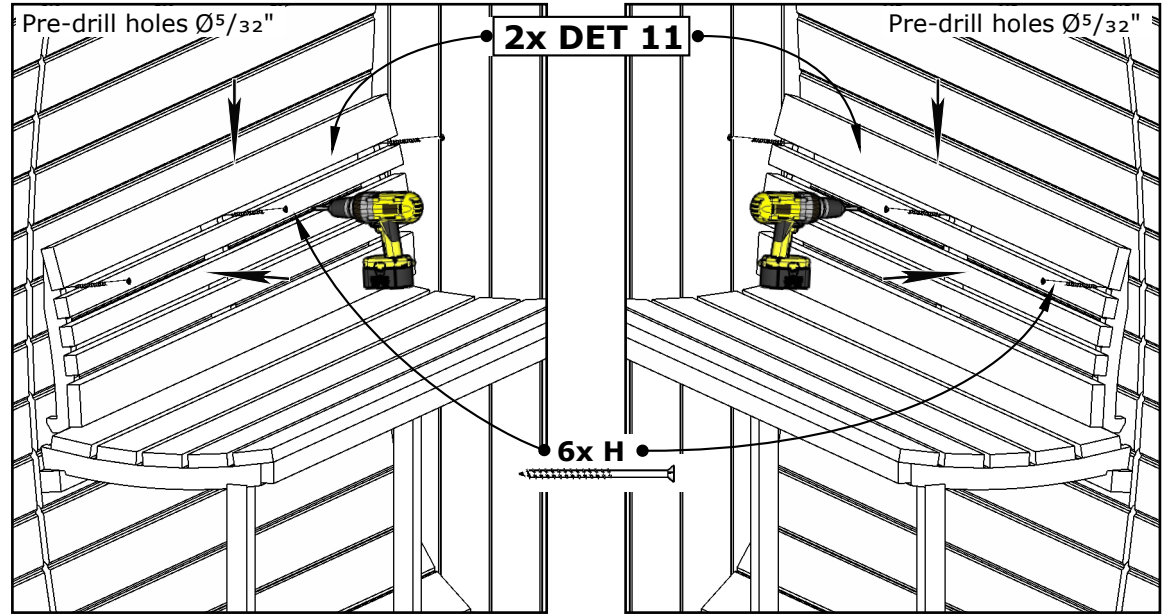
Under the benches

Fasten the opposite sides in the same way!



I

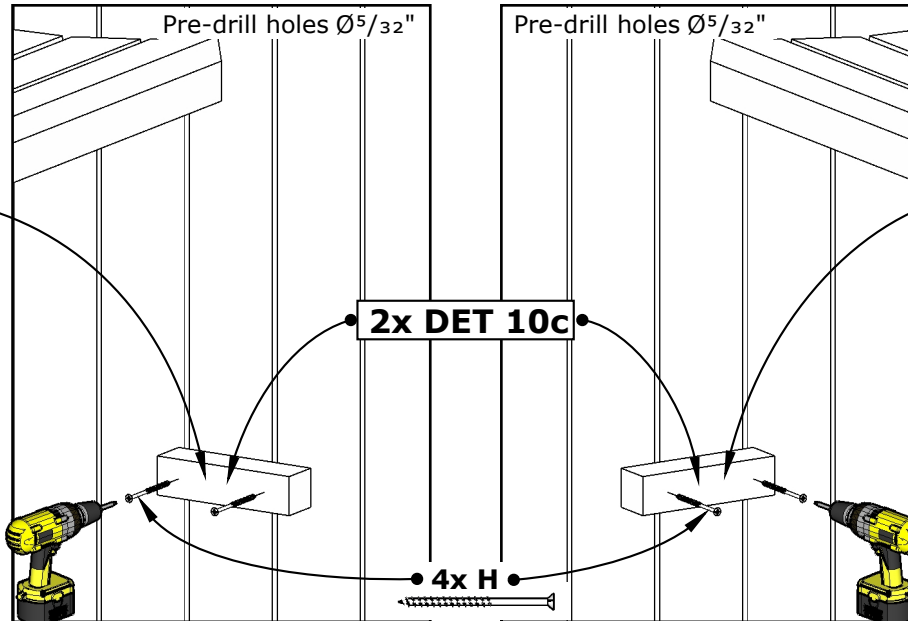
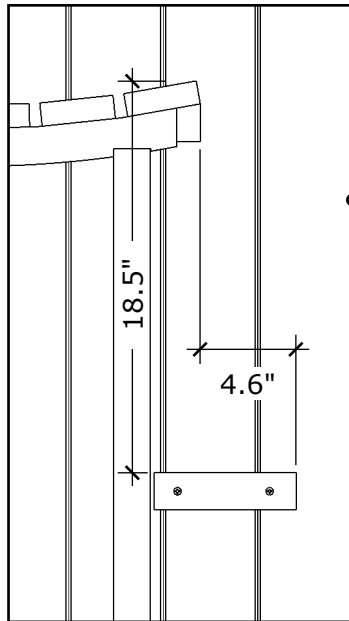
• 8x H •
• 4x DET 10c •



II

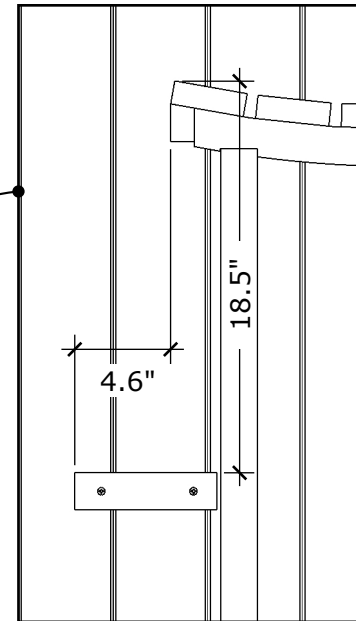
• 2x DET 11 •

• 6x H •



• 2x DET 10c •

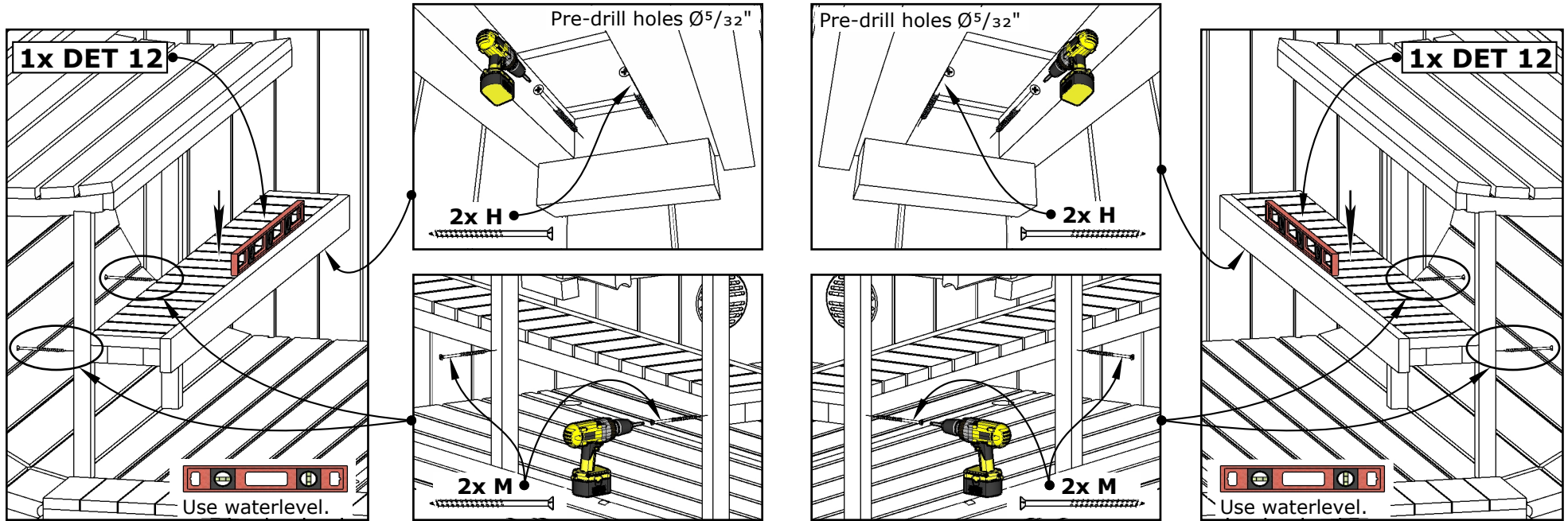
• 4x H •



13.

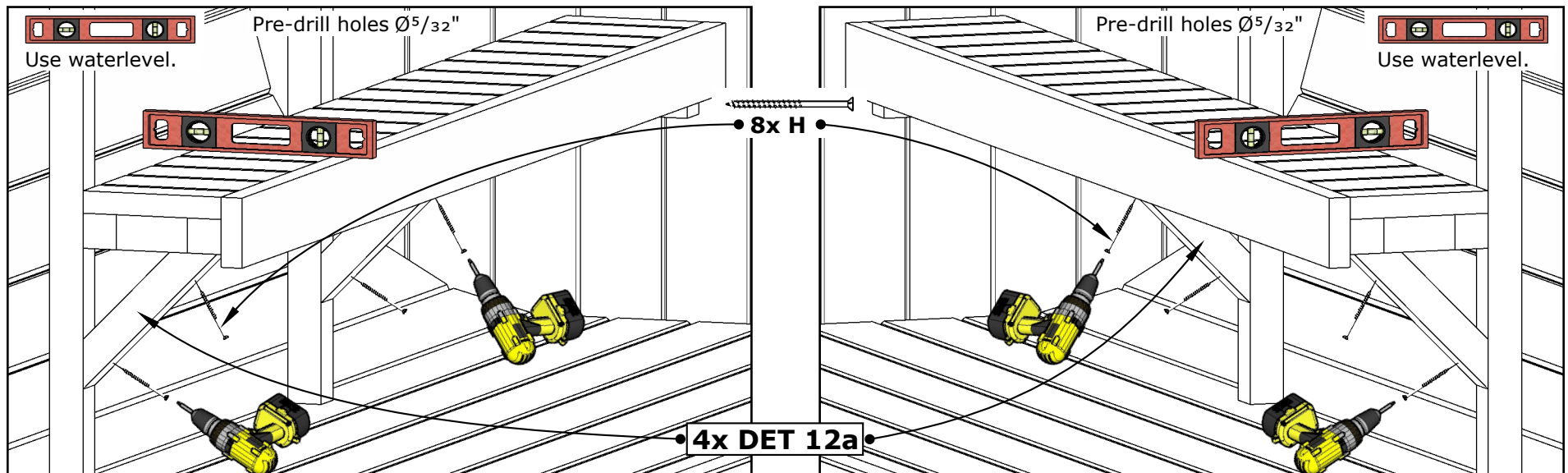
III

CL7G Outdoor Sauna 87D" x 91W" x 93H"



I

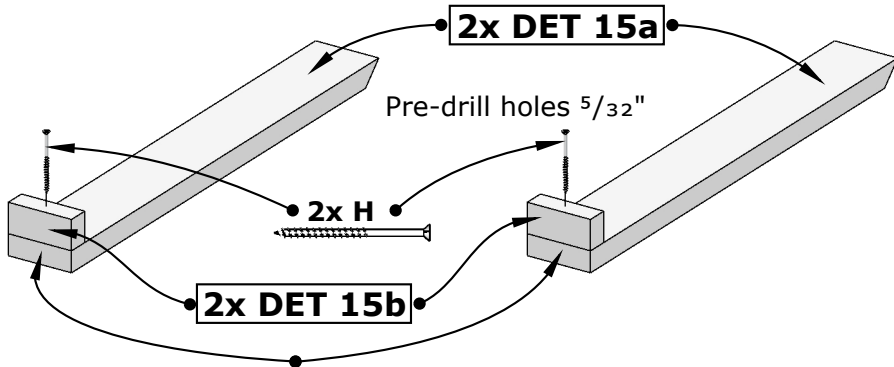
II



III

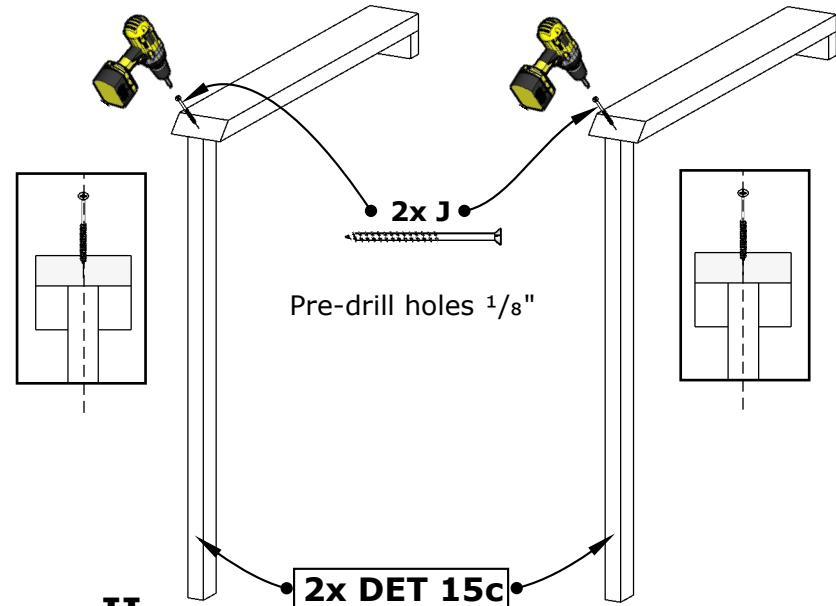
CL7G Outdoor Sauna 87D" x 91W" x 93H"

ATTENTION!
HEATER GUARD MAY NOT MEET THE SAFETY
DISTANCES OF ALL HEATERS AND SHOULD
NOT BE USED IF THE HEATER DOES NOT FIT!

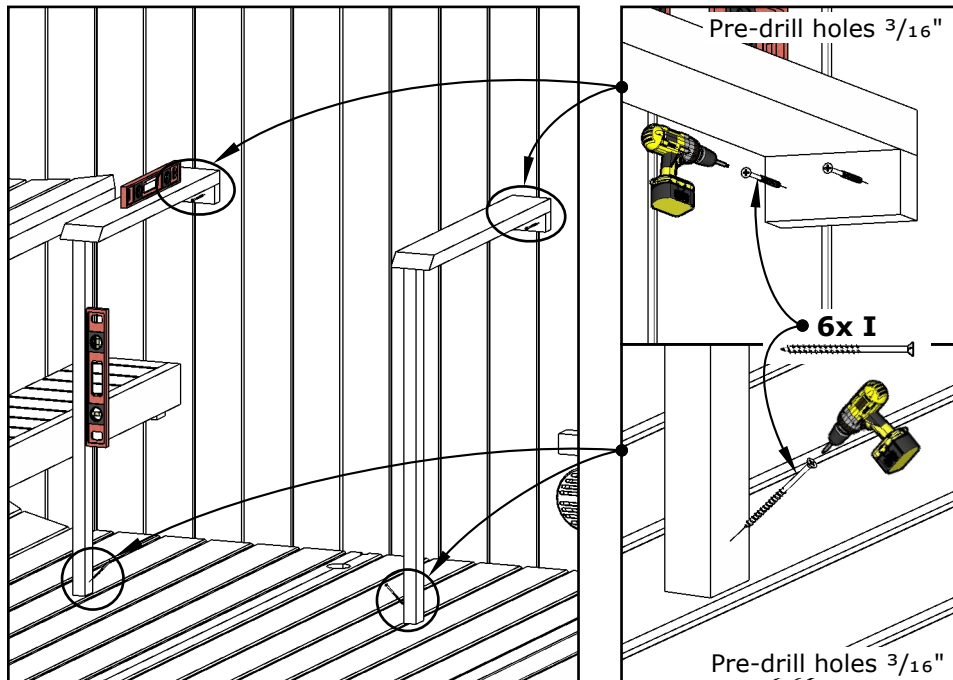


If Your sauna heater is smaller, You can cut DET 15a to length from the non-tapered end to better fit your heater.

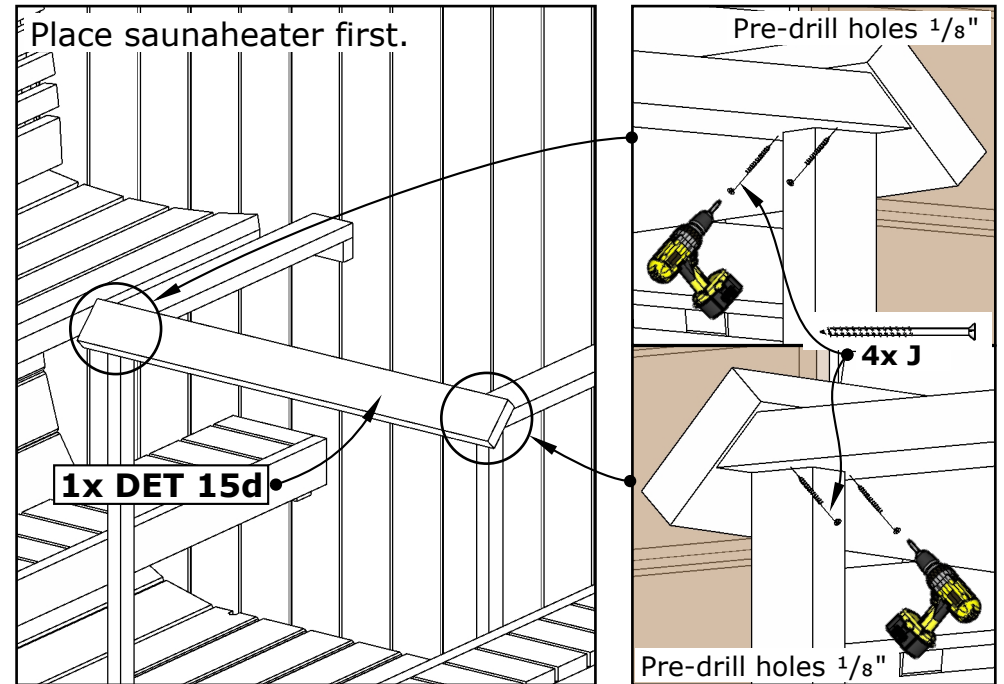
I



II

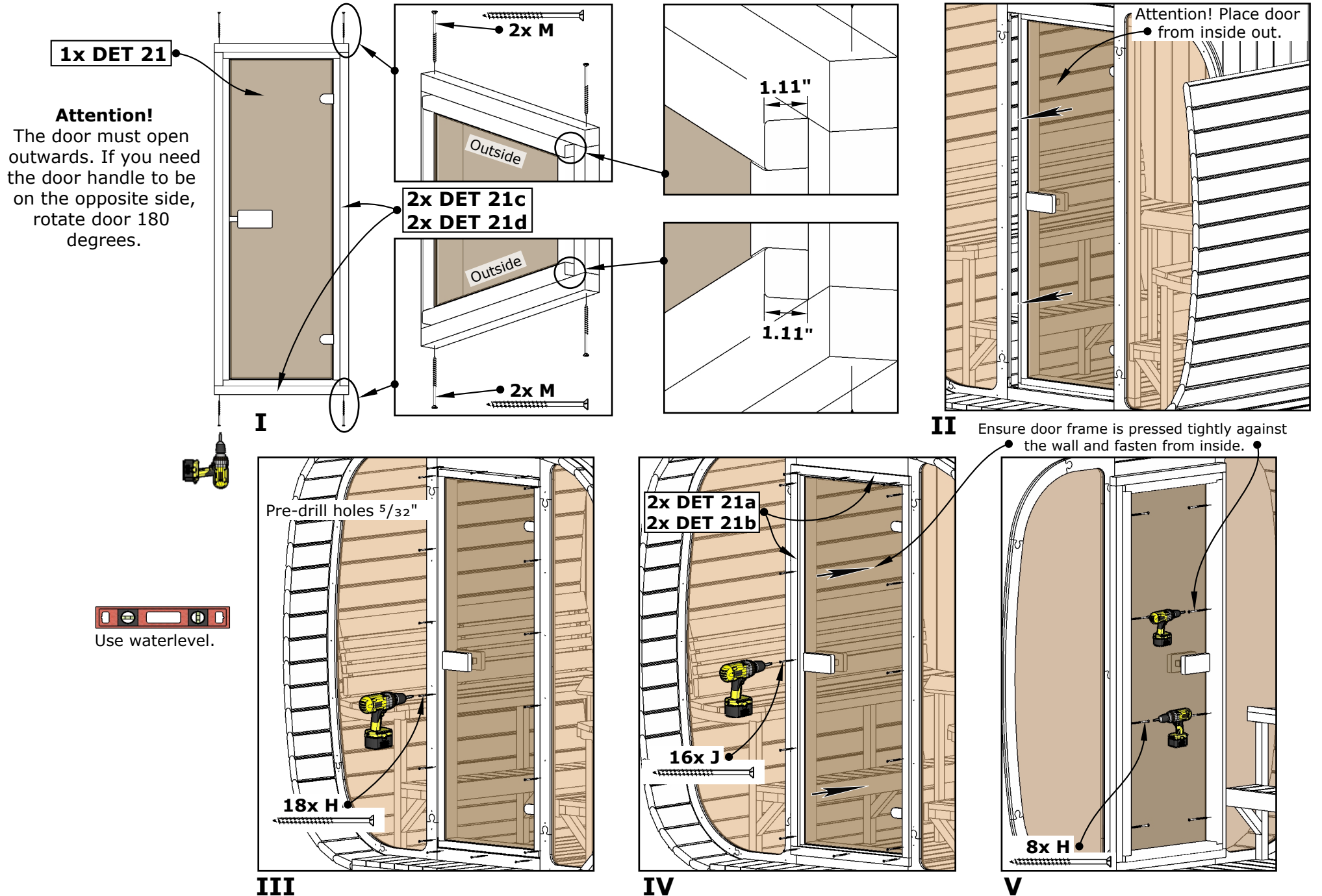


III

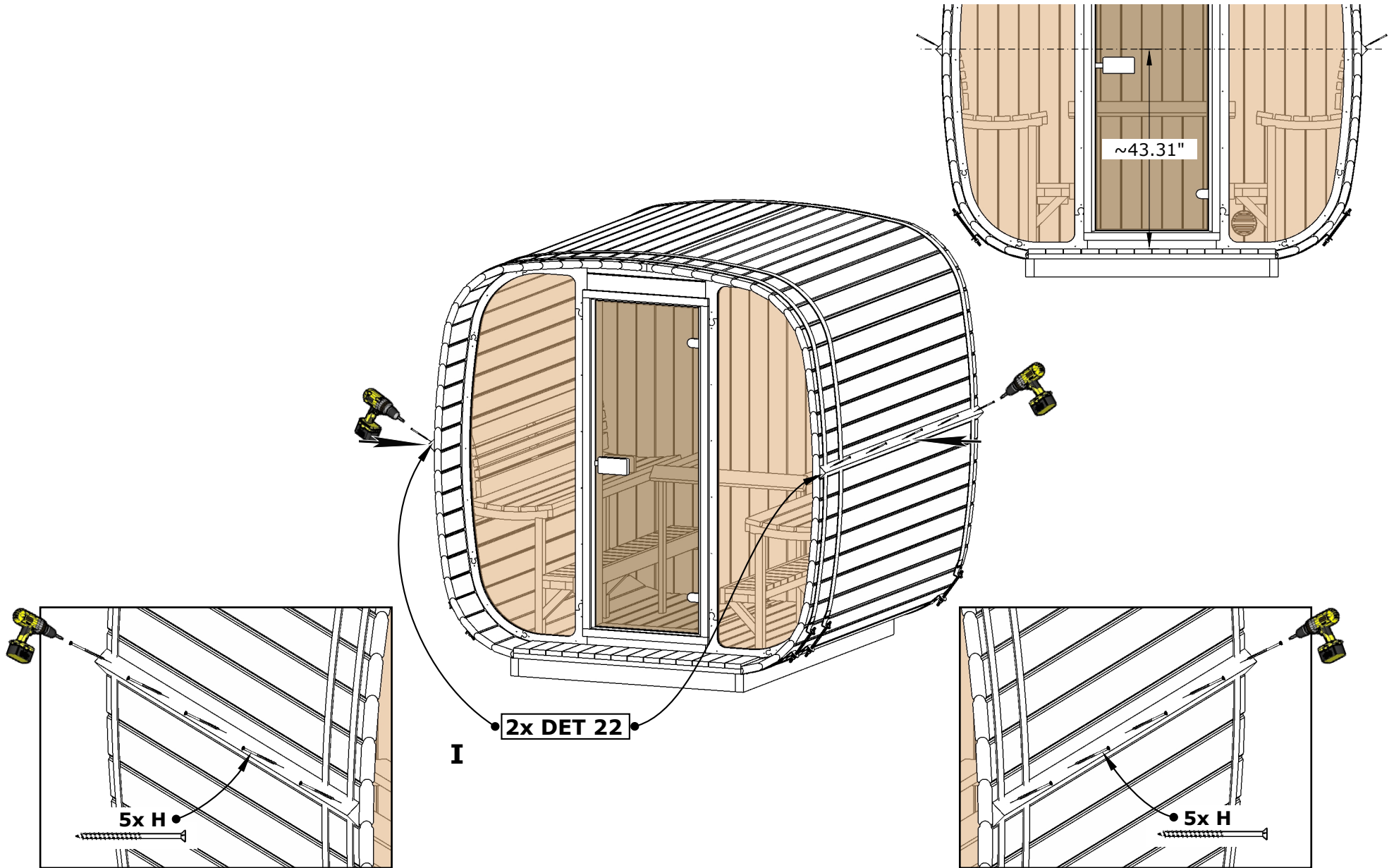


IV

CL7G Outdoor Sauna 87D" x 91W" x 93H"



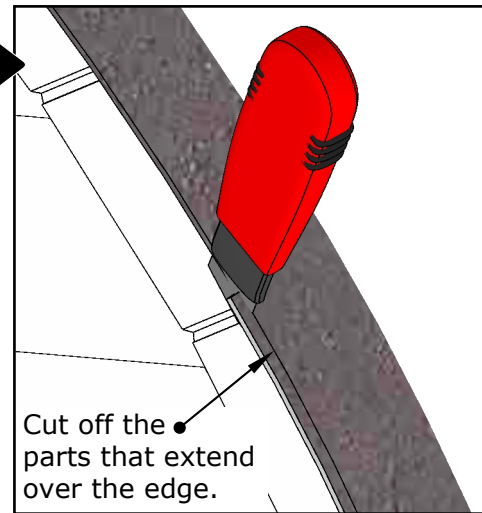
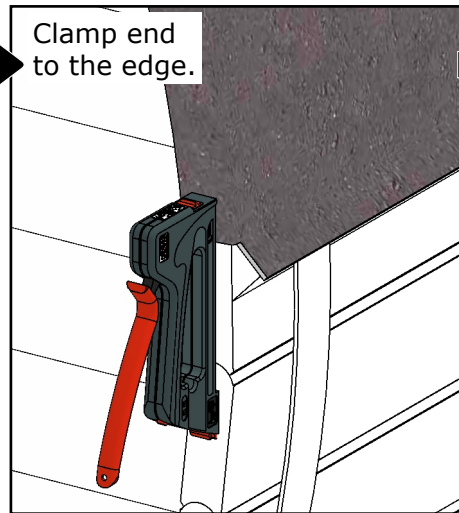
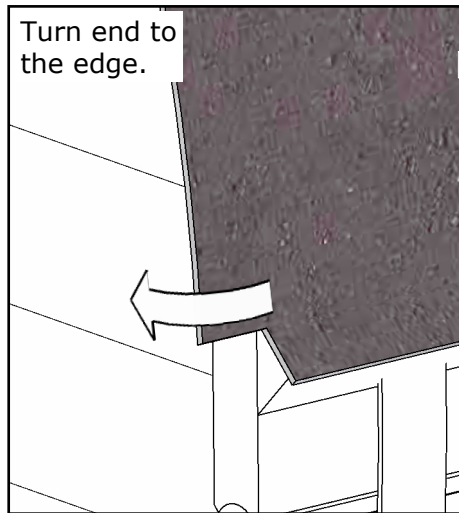
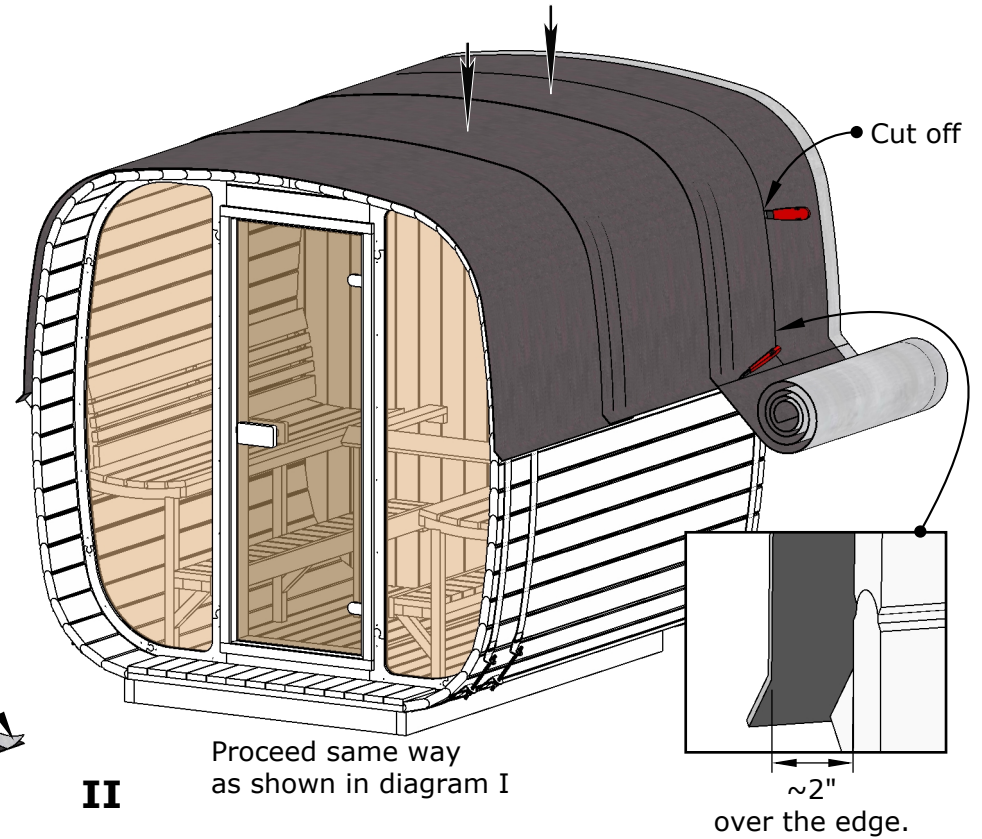
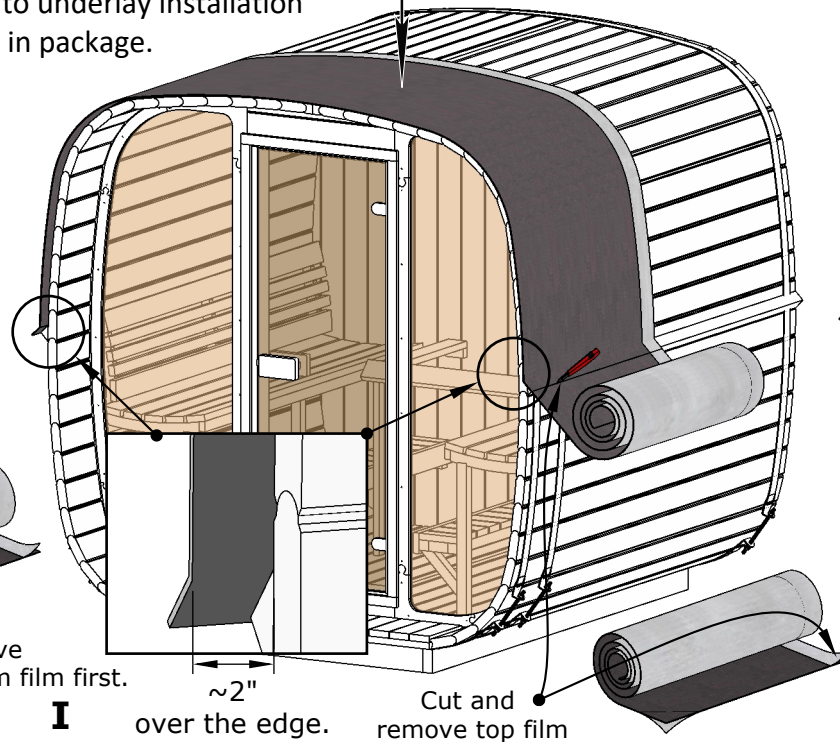
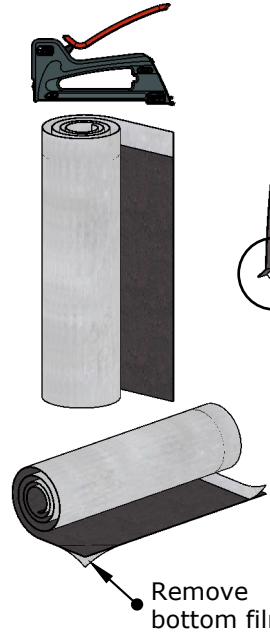
CL7G Outdoor Sauna 87D" x 91W" x 93H"



CL7G Outdoor Sauna 87D" x 91W" x 93H"

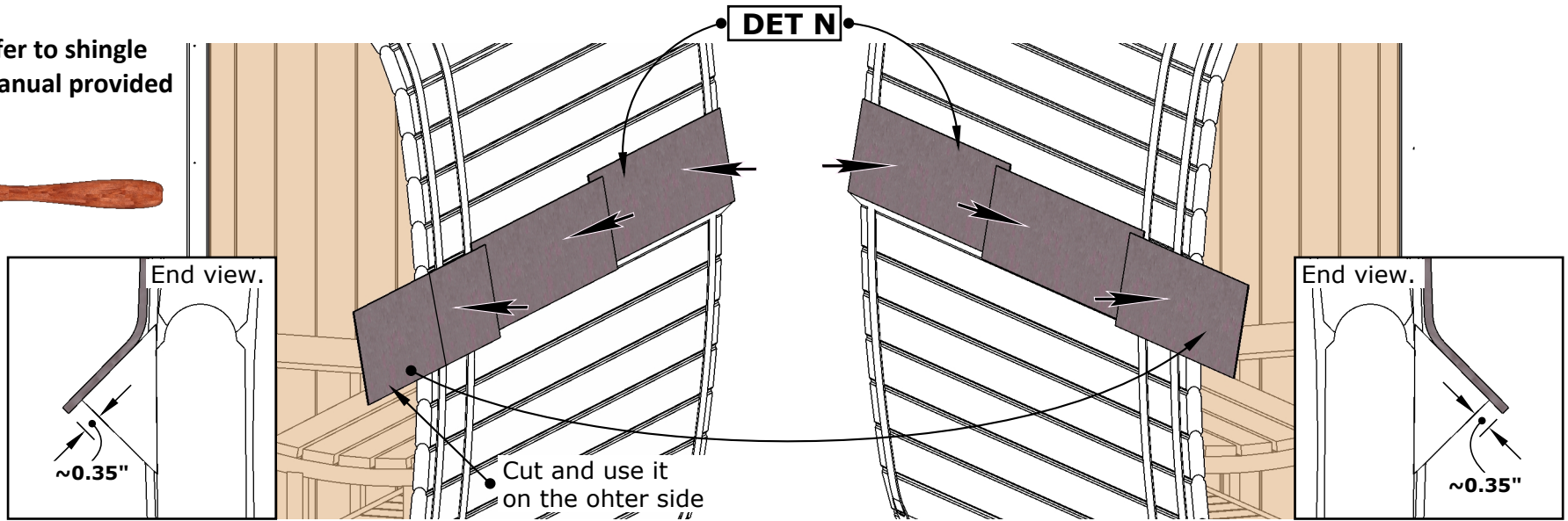
Underlay felt installation manual.

Attention! Refer to underlay installation manual provided in package.

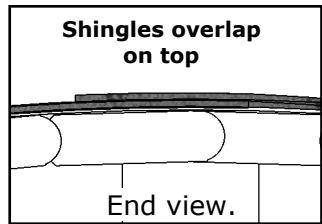


CL7G Outdoor Sauna 87D" x 91W" x 93H"

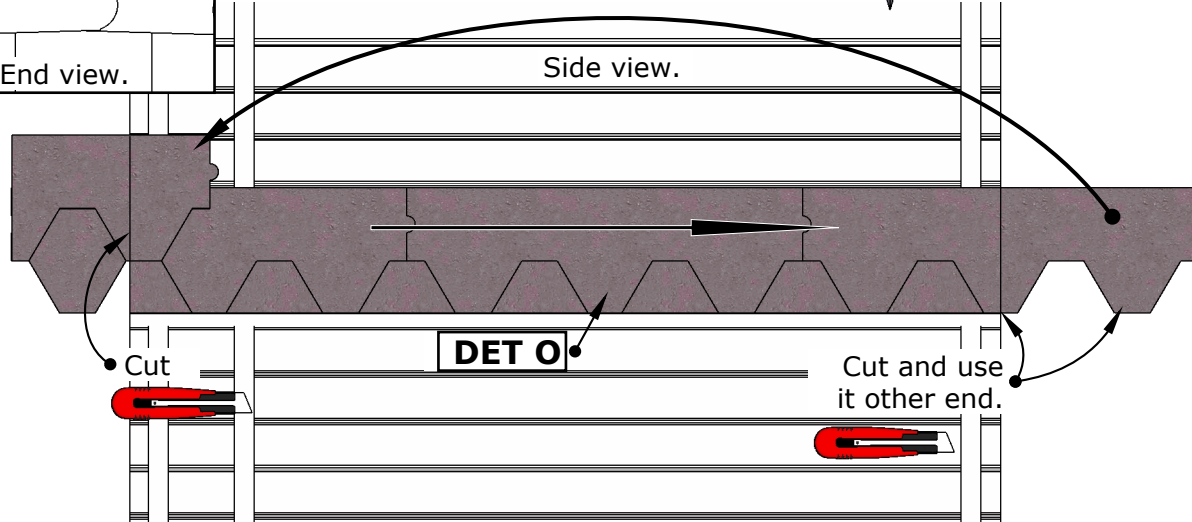
Attention! Refer to shingle installation manual provided in package.



I

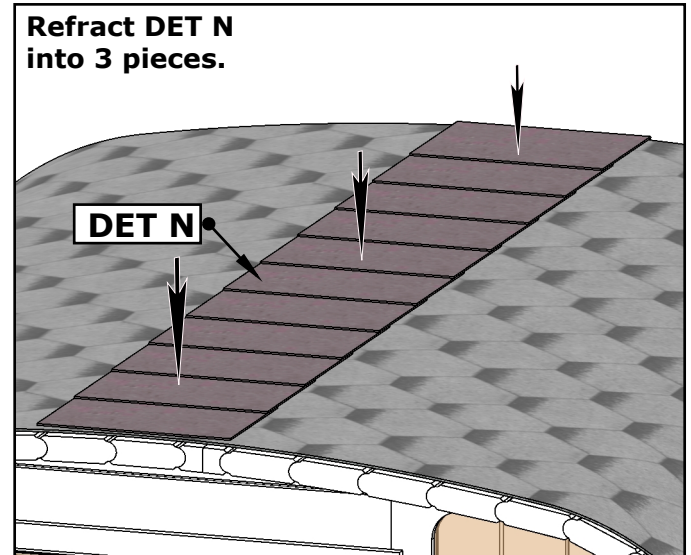


Attention! Refer to shingle installation manual provided in package.



II

Attention! Refer to shingle installation manual provided in package.



III

CL7G Outdoor Sauna 87D" x 91W" x 93H"

