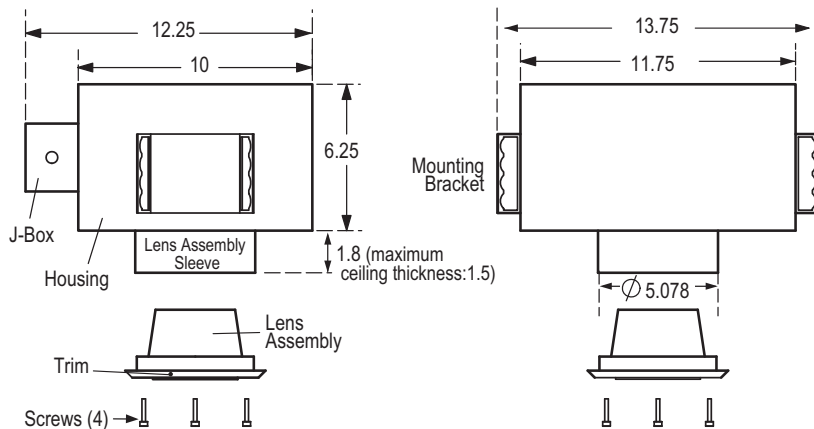
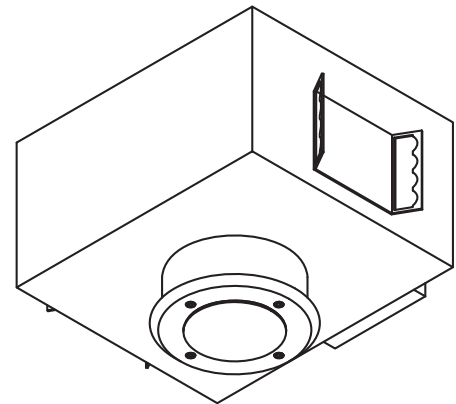


MS/CU Recessed Light

- Uses a Halogen PAR 30, 75 Watt lamp or energy efficient equivalent
- Designed for recessed ceiling mounting
- Designed for steam room moisture and temperature levels
- Operates on 120 Volts
- cETLus listed
- 14" L x 12.5"W x 8.25"H
- Can be controlled from a wall switch or dimmer switch
- Ease of install with standard sized hanger bars
- Attached junction box for installation safety



FOR ILLUSTRATIVE PURPOSES ONLY. IMPORTANT NOTE: FOR SAFE AND TROUBLE FREE INSTALLATION visit mrsteam.com or scan the QR code before installation to download the Installation, Operation and Maintenance Manual or refer to the manual provided with the unit.



MODEL	FINISH	PROJECT INFORMATION	
<input type="checkbox"/> MS Light-RCS	<input type="checkbox"/> SS-Stainless Steel	Location:	Contractor:
<input type="checkbox"/> CU Light-RCS	<input type="checkbox"/> NKL-Nickel	Architect:	Submitted By:
		Engineer:	Date:
Notes:			